

NOTES

GENERAL : Manhole sections shall conform to ASTM C478.

Manhole joints shall conform to ASTM C443.

Openings for pipes shall be precast into the manhole sections. Openings shall be fitted with "Kor-N-Seal" rubber boots or approved equal.

Openings for the inlet and outlet sewer pipe shall be cast in the precast section unless the manhole base is built to an elevation two inches above the top of the outlet pipe.

Openings for pipes 18" diameter or less entering the manhole above the spring line of the outlet sewer may be cut in the field provided the portion of the pipe (15" or 18" diam.) inside the manhole is cut to fit the circumference of the manhole. pipes over 18" diameter entering the manhole above the spring line of the outlet sewer shall be connected to the manhole by a tee connection precast with the barrel of the manhole.

All joints at pipe openings in the manhole shall be thoroughly caulked with cement mortar or other suitable material to prevent infiltration of earth into the manhole.

MATERIALS : Concrete for the manhole base and connection box shall be class "C".

Precast reinf. conc. manhole sections and domes shall comply with the requirements of 706.13.

Minimum wall thickness shall be 5 inches for 48" sections and 6 inches for 60" sections. 1 1/4" holes for handling may be cast in domes and sections. Sections may be set with tongue end either up or down.

In lieu of the design shown for the junction between the manhole base and the manhole barrel, the base may be flat and the barrel may have a square end without tongue or groove and shall be set in a bed of mortar.

Manhole castings shall be: Neenah R-1762, or East Jordan Ironworks 1661, Frame and Cover with self sealing gasket. or approved equal, with wording "Marysville Storm Sewer" cast into the center of the lid.

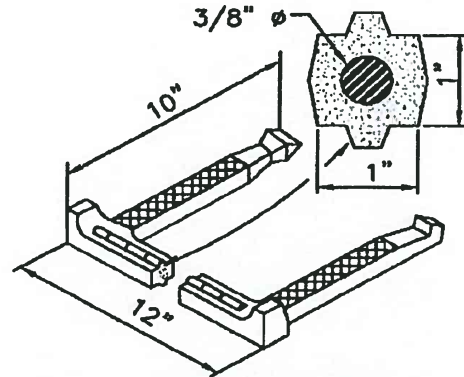
STEPS shall meet the requirements of 604.

Manhole steps shall be vertically aligned and be reinforced plastic.

Manhole steps must be precast in place.

Reinforcing steel shall have 2 inch clearance except where otherwise specified.

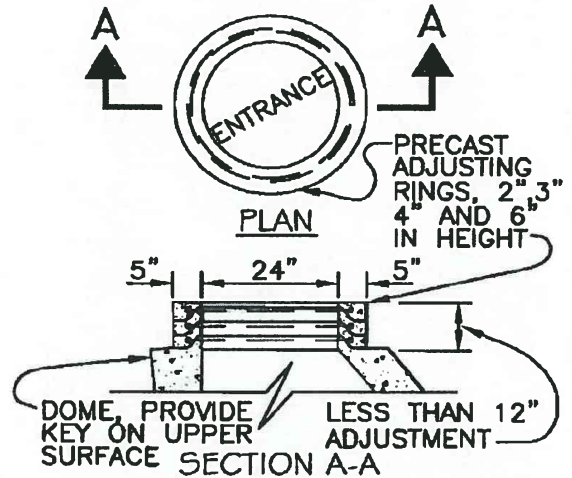
Bulkheads shall be constructed by providing P.V.C. cap & timber blocking.



NOTE: M.H. STEPS AT 16" ON CENTER, UNO.

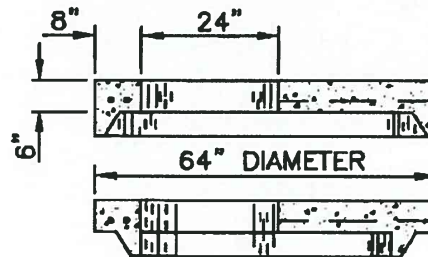
POLYPROPYLENE STEP

MANHOLE STEP DETAIL



METHODS

OF ADJUSTING TO GRADE



SECTIONS

DOMES ALTERNATES

Date: 3/14/2018

Standard Construction Drawing



Standard Manhole
Details

Drawing No.

STS-07