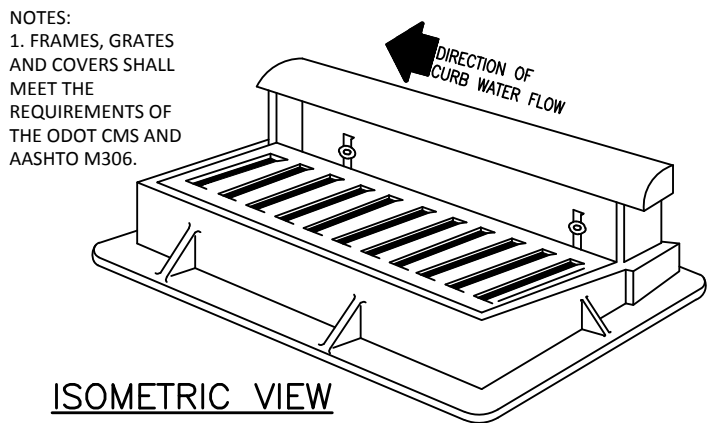
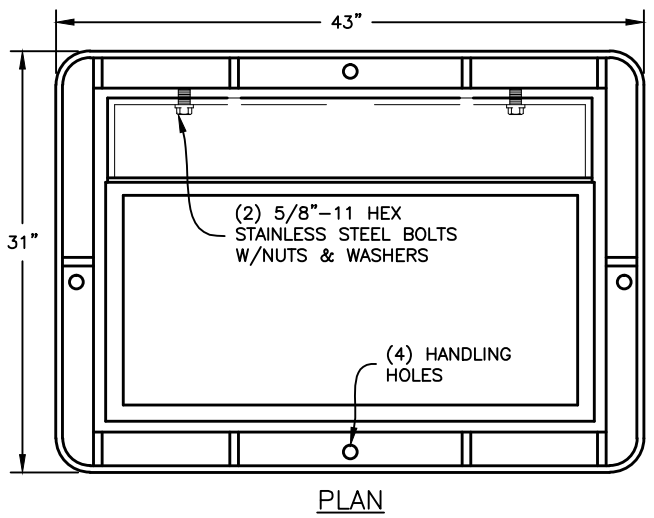


NOTES:
1. CURB ADJUSTMENT 6" TO 11". USE CITY APPROVED INJECTION MOLDED POLYETHYLENE PLASTIC CATCH BASIN ADJUSTMENT SLEEVE.
2. "DUMP NO WASTE, DRAINS TO RIVER" SHALL BE CAST INTO ALL CASTINGS.



PRE-APPROVED CATCH BASIN ADJUSTMENT SLEEVES:
- LADTECH SYSTEMS INJECTION MOLDED POLYETHYLENE PLASTIC CATCH BASIN ADJUSTMENT SLEEVE FLAT DESIGN FOR 24" AND 36" OPENING.

