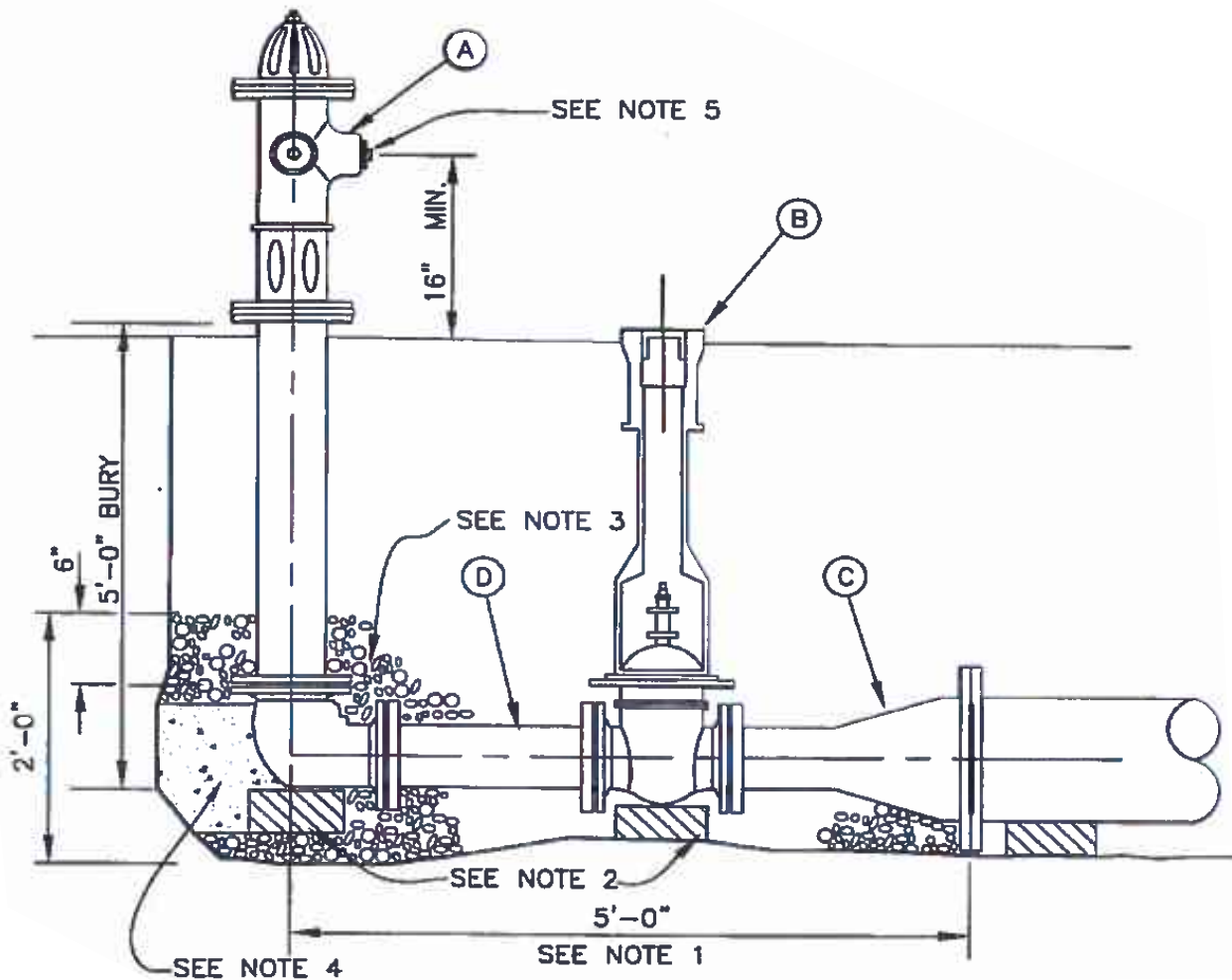


NOTES

1. THE DISTANCE FROM THE CENTERLINE OF THE MAIN TO THE CENTERLINE OF THE HYDRANT WILL BE 38" EXCEPT WHEN INDIVIDUAL CIRCUMSTANCES PROVE IT TO BE INFEASIBLE. WHEN SUCH CIRCUMSTANCES OCCUR, THE LENGTH OF THE LEAD WILL BE NOTED ON THE DRAWINGS WITH STATIONING.
2. SOLID 4"x8"x16" CONCRETE BLOCK TO BE USED UNDER ALL VALVES AND HYDRANT ELBOWS.
3. CRUSHED #57 STONE FILL AROUND HYDRANT DRAIN TO A DEPTH OF 2'-0".
4. SOLID 4"x8"x16" CONCRETE BLOCK BRACED AGAINST UNDISTURBED SOIL.
5. PUMPER NOZZLE FACING STREET AND SHALL BE 2'-0" BACK OF CURB WHEN APPLICABLE.

ITEM	DESCRIPTION
A	MUELLER VALVE CO. HYDRANT, 3 WAY CENTURION 250 MODEL
B	6" M.J. GATE VALVE 3 PIECE VALVE BOX
C	6" M.J. - P.E. REDUCER WITH MEGA-LUGS
D	18" LONG, 6" DIA. ANCHOR PIPE (OR MEGA-LUGS AS ANCHORS)



Date: 3/02/2018

Standard Construction Drawing



Typical Fire Hydrant
Assembly Dead End

Drawing No.
WTR-06