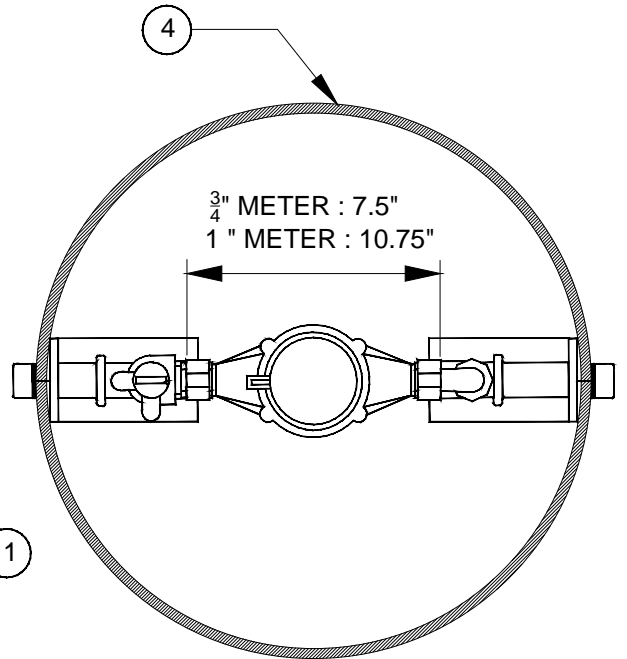


**SECTION VIEW**



**PLAN VIEW**

ITEM	DESCRIPTION	NUMBER REQUIRED
1	QUARTER BEND METER COUPLING (215H14210)	1
2	BALL ANGLE METER STOP (215B24265)	1
3	PLASTIC STABILIZING BRACKET	2
4	21" SHELL SUB-ASSEMBLY	1
5	SS HEX NUT	6
6	SS HEX BOLT	2
7	METER	1
8	( $\frac{3}{4}$ " TO 1") COPPER RISER SUB-ASSEMBLY	2
9	INSULATING PAD (790119)	1
10	TOUCH READ LID (683594)	1
11	CAPLUG	2
12	90° BRASS ELBOW WITH MOUNTING FLANGE	2
13	LID FRAME (700098-1)	1
14	M.I.P. THREADED OUTLETS	2

NOT TO SCALE

DATE: APRIL 2020

STANDARD CONSTRUCTION DRAWING

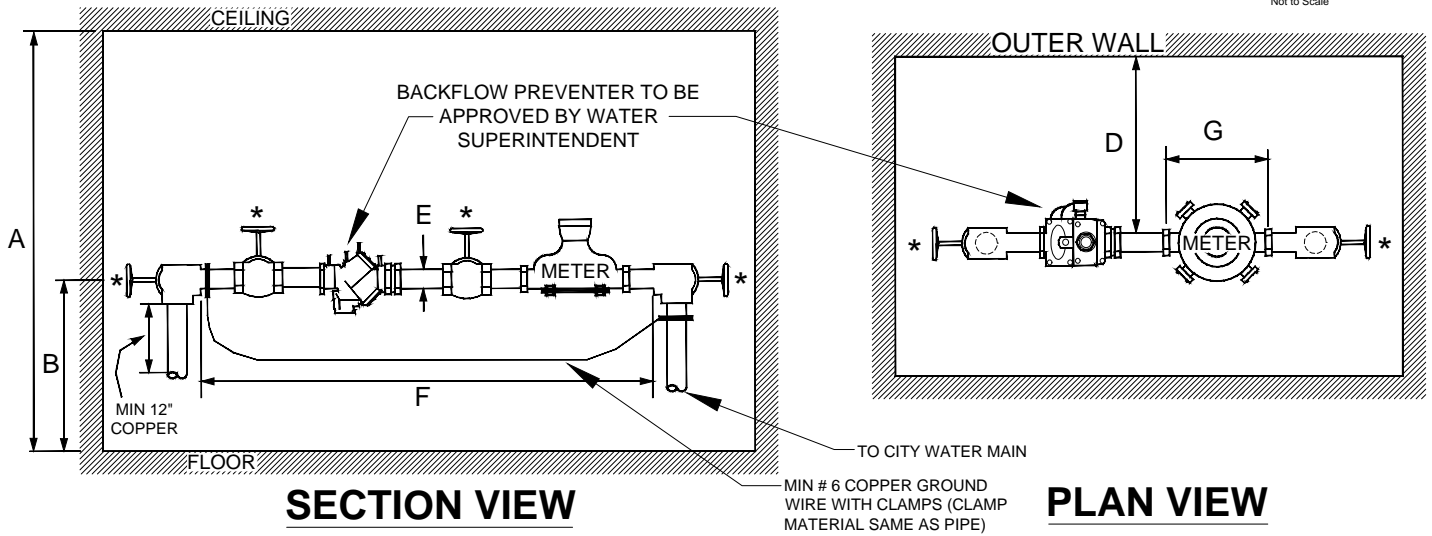


WATER METER  
TYPE I  
( $\frac{3}{4}$ " TO 1")

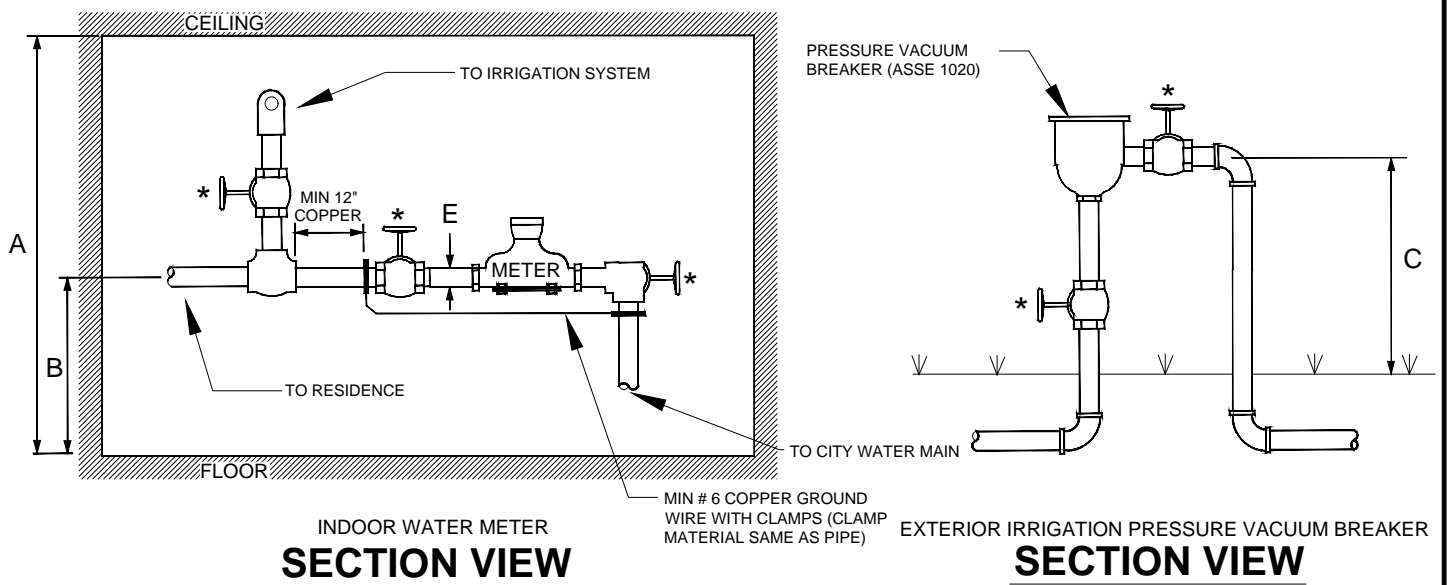
DRAWING NO.  
WTR-07  
SHEET 1 OF 9

# INDOOR WATER METER RESIDENTIAL INSTALLATION WITH BACKFLOW PREVENTION

NOTE:  
Not to Scale



## INDOOR WATER METER WITH EXTERIOR BACKFLOW PREVENTER REQUIRED FOR IRRIGATION SYSTEMS



**NOTE:**

\* = BRASS FULL PORT BALL VALVE - EXTERIOR IRRIGATION PRESSURE VACCUM BREAKER ASSEMBLY IS TO INCLUDE AN INTEGRAL RELIEF VALVE

METER SIZE	"A" MIN.	"B" MIN.	"B" MAX	"C" MIN.	"D"	"E"	"F" MIN.	"G"
5/8" OR 1/2"	4' - 0"	1' - 4"	3' - 0"	1' - 4"	12 1/2"	3/4"	33 5/8"	7 3/4"
1"	4' - 0"	1' - 4"	3' - 0"	1' - 4"	17"	1"	38 1/4"	11"

NOT TO SCALE

DATE: APRIL 2020

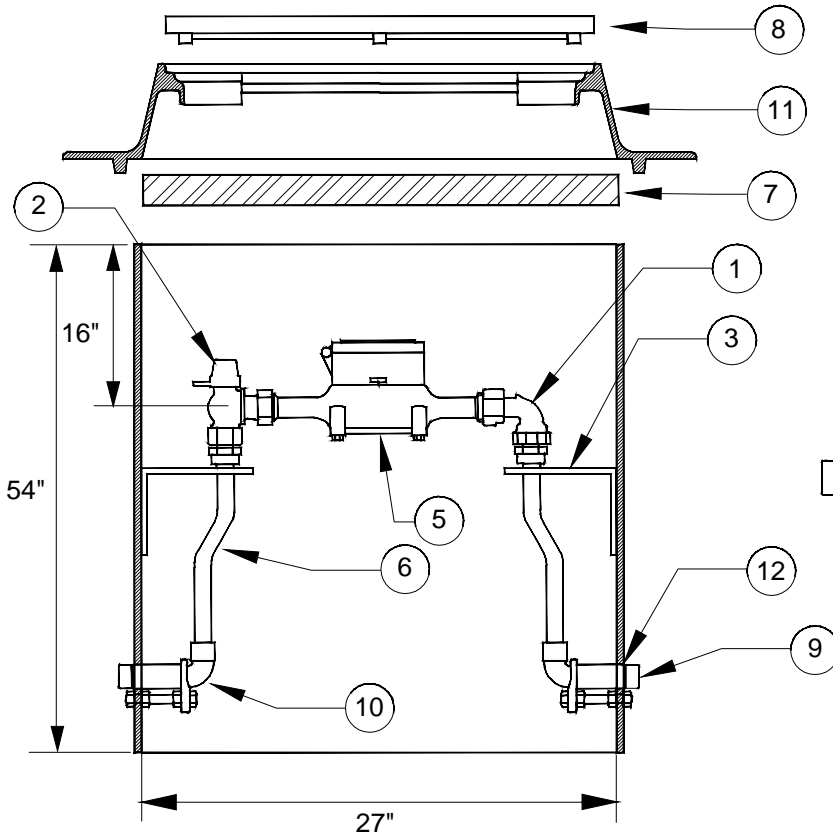
STANDARD CONSTRUCTION DRAWING



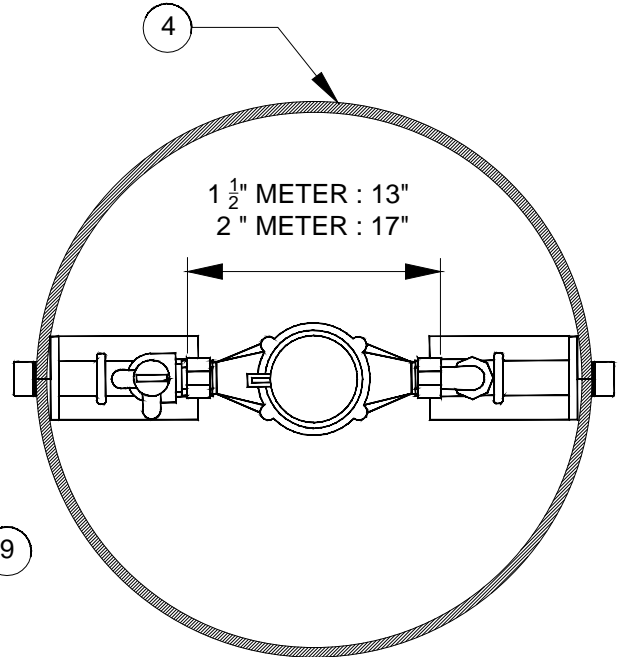
INDOOR WATER METER  
TYPE I  
BACKFLOW PREVENTION &  
IRRIGATION SYSTEMS

DRAWING NO.  
WTR-07  
SHEET 2 OF 9

**NOTE:**  
Not to Scale



**SECTION VIEW**



**PLAN VIEW**

ITEM	DESCRIPTION	NUMBER REQUIRED
1	(1 1/2" OR 2") QUARTER BEND METER COUPLING (550B2428601)	1
2	BALL ANGLE METER STOP (500H14204)	1
3	PLASTIC STABILIZING BRACKET (700061)	2
4	27" SHELL SUB-ASSEMBLY (780007)	1
5	METER	1
6	(1 1/2" OR 2") BRASS RISER SUB-ASSEMBLY	2
7	INSULATING PAD (790058)	1
8	TOUCH READ LID (683594)	1
9	CAPLUG	2
10	(1 1/2" OR 2") 90° BRASS ELBOW (094988 OR 790041)	2
11	CAST IRON LID FRAME (700098-1)	1
12	M.I.P. THREADED OUTLETS	2

NOT TO SCALE

DATE: APRIL 2020

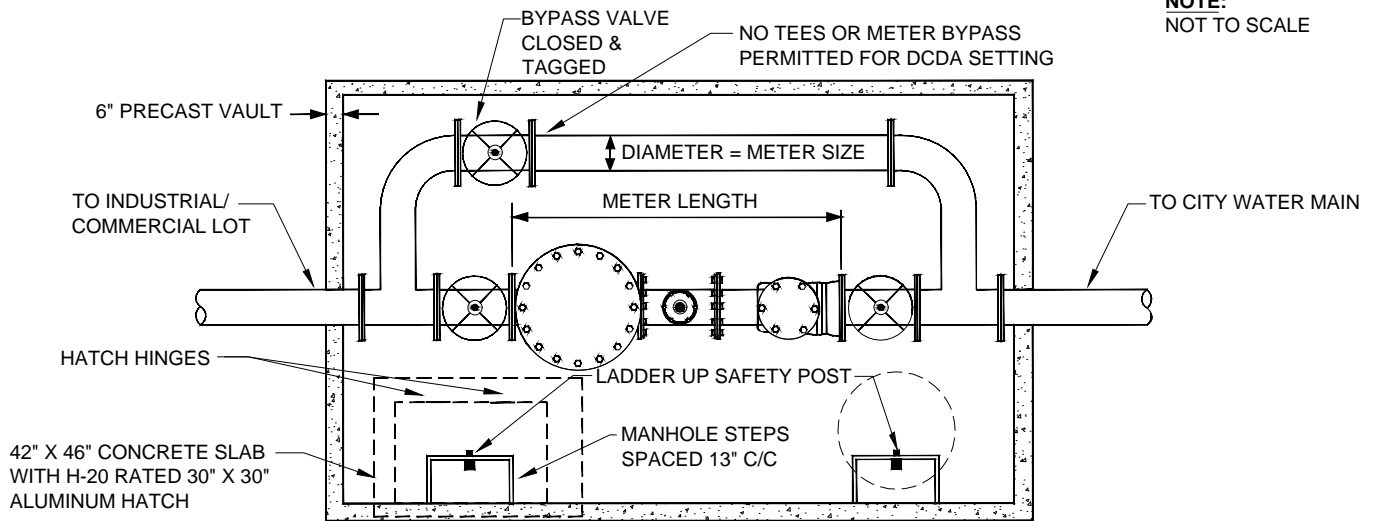
STANDARD CONSTRUCTION DRAWING



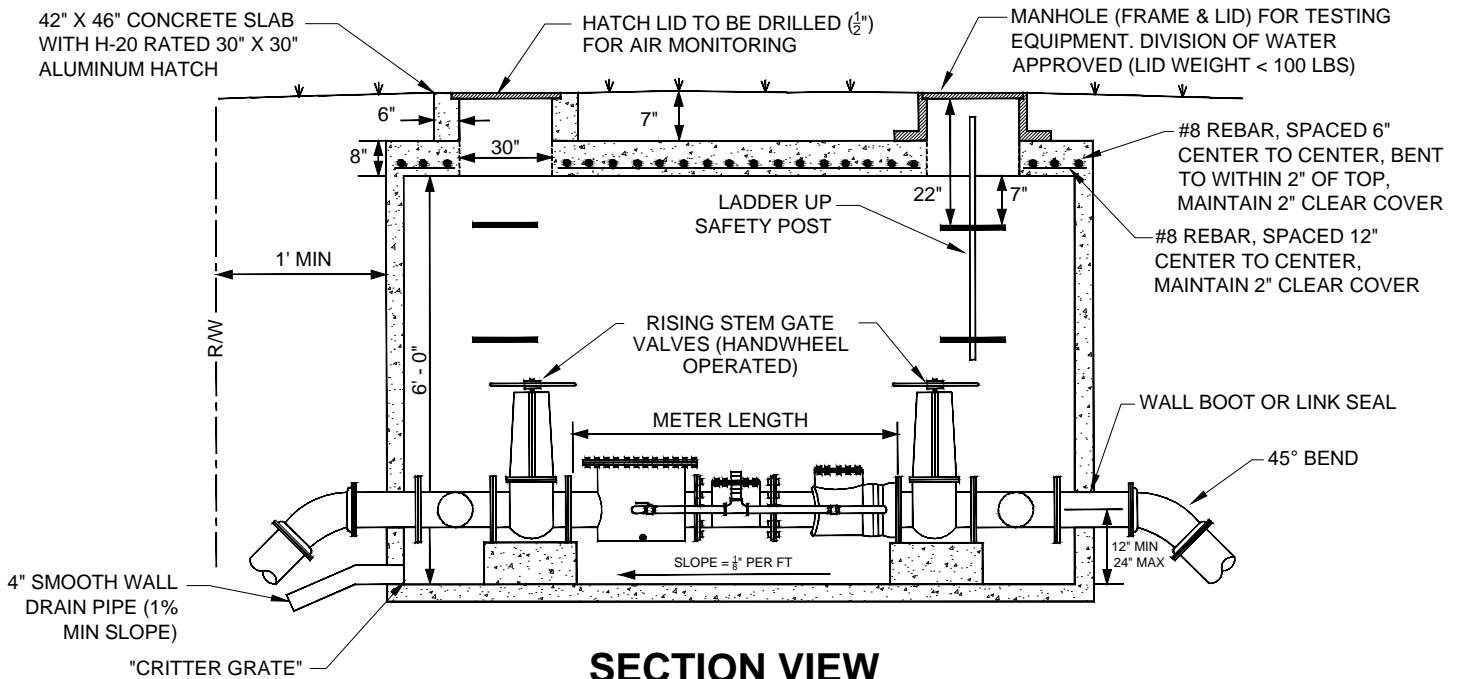
WATER METER  
TYPE II  
(1 1/2" TO 2")

DRAWING NO.  
WTR-07  
SHEET 3 OF 9

**NOTE:**  
NOT TO SCALE



**PLAN VIEW**



**SECTION VIEW**

NOT TO SCALE

DATE: APRIL 2020

STANDARD CONSTRUCTION DRAWING

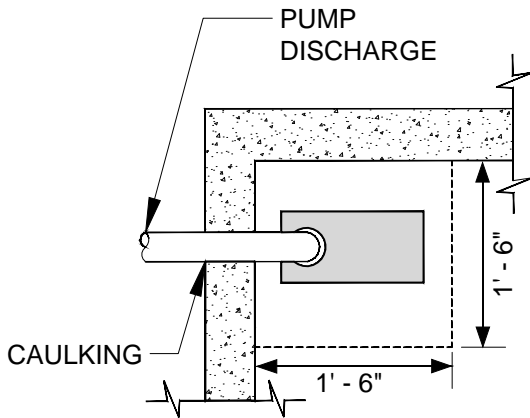
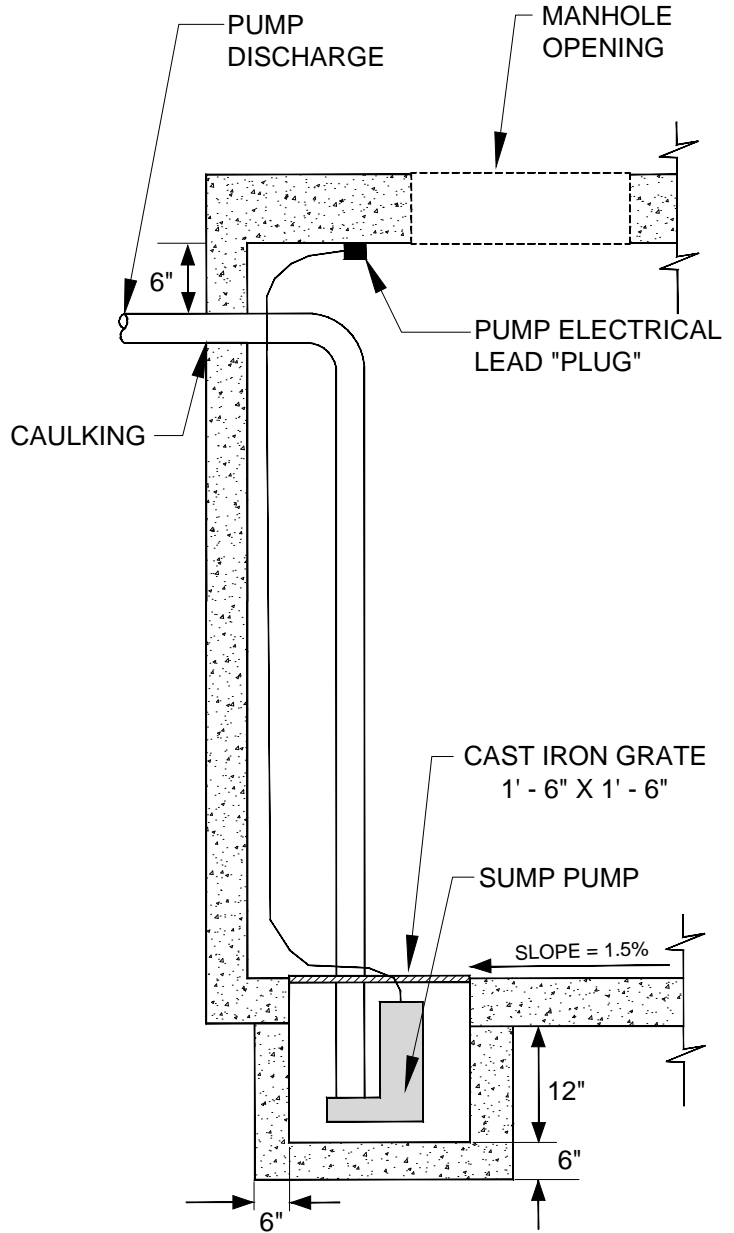


WATER METER  
VAULT

DRAWING NO.  
WTR-07  
SHEET 4 OF 9

**NOTE:**

1. SUMP PUMP SHALL BE SET IN A POSITION CLEAR OF MANOLE STEPS.
2. PIPING OR ELECTRICAL LEADS SHALL NOT BE PLACED IN THE MANHOLE OPENING.
3. PUMP ELECTRICAL LEAD "PLUG" SHALL BE LOCATED AT A LOCATION APPROVED BY THE DIVISION OF WATER (CLOSE TO ACCESS HATCH AND EASILY ACCESSIBLE FROM ABOVE THE METER VAULT).
4. SUMP PUMP SHALL BE FULLY SUBMERSIBLE.



**PLAN VIEW**

**SECTION VIEW**

NOT TO SCALE

DATE: APRIL 2020

STANDARD CONSTRUCTION DRAWING



WATER METER VAULT  
SUMP PUMP

DRAWING NO.

WTR-07

SHEET 5 OF 9

**Notes:**

1. NO CONNECTIONS ARE PERMITTED BETWEEN THE R/W SERVICE VALVE AND THE METER.
2. NO METER VAULT SHALL BE INSTALLED IN ANY PAVED AREA WITHOUT EXPRESSED APPROVAL OF THE DIVISION OF WATER.
3. ALL VALVES 3" AND LARGER, INSIDE THE VAULT, SHALL BE GATE VALVES WITH OUTSIDE SCREW AND YOKE ASSEMBLIES.
4. THE VAULT FLOOR SHALL BE A MINIMUM OF 18" ABOVE THE FLOW LINE OF THE DRAINAGE DITCH OR STORM SEWER. USE OF A SUMP PUMP IN LIEU OF PROVIDING ADEQUATE DRAINAGE IS NOT PERMITTED. WHERE ADEQUATE DRAINAGE IS NOT AVAILABLE OR PROVES TO BE INADEQUATE, A SUMP PUMP MAY BE ALLOWED, UPON PRIOR APPROVAL, BY THE DIVISION OF WATER. SEE SHEET 7.
5. ALL METER VAULT USAGE SHALL REQUIRE PRE-APPROVAL BY THE CITY OF MARYSVILLE'S DIVISION OF WATER. THE 6" WALL THICKNESS SHOWN REFLECTS APPROVED PRE-CAST METER VAULTS. POURED IN PLACE OR SOLID BLOCK WALLS SHALL REQUIRE ADDITIONAL APPROVAL.
6. WATER LINE PIPING, FITTINGS AND APPURTENANCES SHALL MEET THE CITY OF MARYSVILLE'S DIVISION OF WATER SPECIFICATIONS AND STANDARD DRAWINGS.
7. ALL WATER LINE PIPING, FITTINGS AND APPURTENANCES INSIDE THE METER VAULT AND WITHIN 5'-0" ON BOTH SIDES OF THE VAULT IS REQUIRED TO BE DUCTILE IRON.
8. THE BYPASS LINE (INCLUDED ASSOCIATED TEES AND VALVES) CAN BE LOCATED OUTSIDE THE METER VAULT. A FREE STANDING POST INDICATOR VALVE IS REQUIRED IF THIS OPTION IS USED.
9. ALL HATCHES AND MANHOLES REQUIRE A LADDER UP SAFETY POST TO BE INSTALLED.
10. METER INSIDE VAULT DIMENSIONS MINIMUM WALL CLEARANCE  
LENGTH: 11'-0" A: 4'-6"  
WIDTH: 9'-0" B: 4'-6"
11. DIMENSIONS SHOWN ARE FACE TO FACE. ALLOWANCE MUST BE PROVIDED FOR THE THICKNESS OF THE GASKETS TO BE USED.
12. AN APPROVED ABOVE GROUND ENCLOSURE MAY BE USED FOR DCDA'S AND RPDA'S ONLY.
13. NO CONNECTIONS ARE PERMITTED BETWEEN THE R/W SERVICE VALVE AND THE WATER, R/W SERVICE VALVE SHALL BE PLACED 1'-0" FROM THE STREETS EDGE OF THE PROPOSED OR EXISTING SIDEWALK/BIKE PATH, OR 2'-0" INSIDE THE RIGHT-OF-WAY OR EASEMENT LINE WHEN NO SIDEWALK/BIKE PATH IS PRESENT OR PROPOSED.

DATE: APRIL 2020

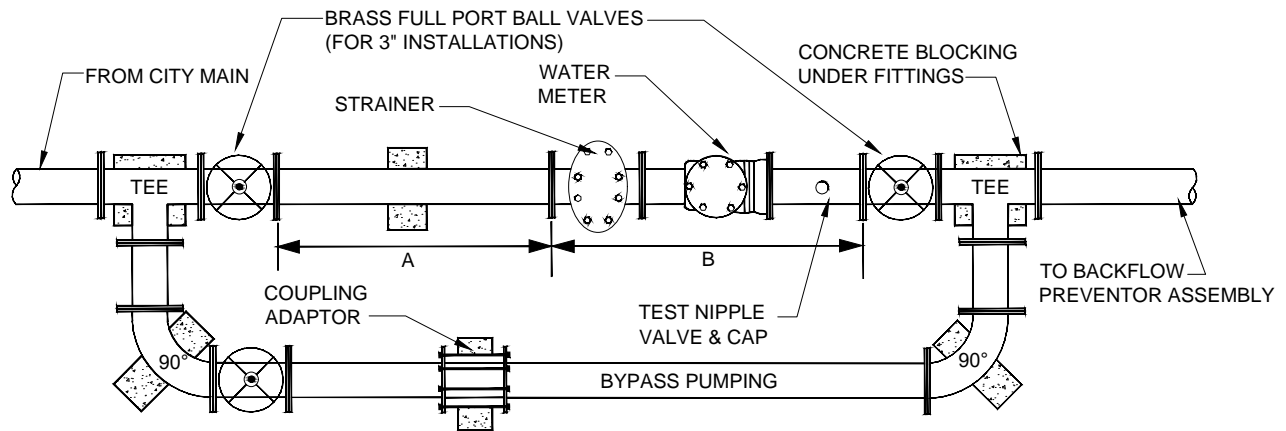
STANDARD CONSTRUCTION DRAWING



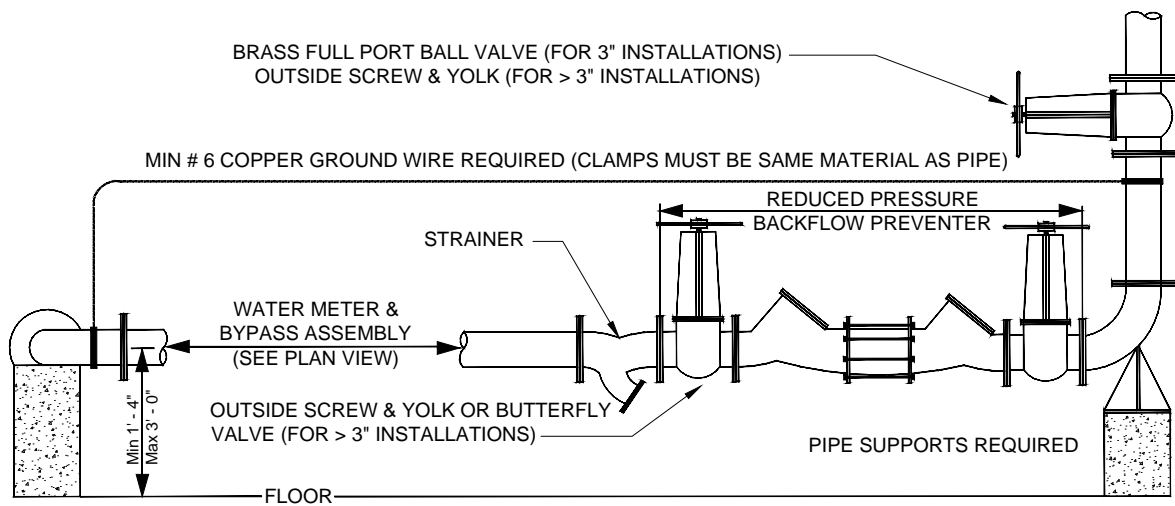
WATER METER NOTES  
TYPE III  
(3", 4", 6")

DRAWING NO.

WTR-07  
SHEET 6 OF 9



**PLAN VIEW**



**SECTION VIEW**

**NOTES:**

1. COMPOUND METER MAY BE INSTALLED AT THE DISCRETION OF THE WATER SUPERINTENDENT.
2. ALL PIPING TO BE 30" MIN FROM ANY WALL OR OBSTRUCTION.
3. THE DISTANCE FROM THE FLOOR BELOW THE METER ASSEMBLY TO THE CEILING OR ANY OBSTRUCTION ABOVE SHALL BE A MINIMUM OF 8' - 0".
4. METER DISTANCE FROM VALVES OR FITTINGS UPSTREAM SHALL BE 5 TIMES THAT OF THE PIPE DIAMETER.
5. THE LENGTHS OF SECTIONS A & B SHALL BE DISTANCES SPECIFIED BY THE MANUFACTURER.

NOT TO SCALE

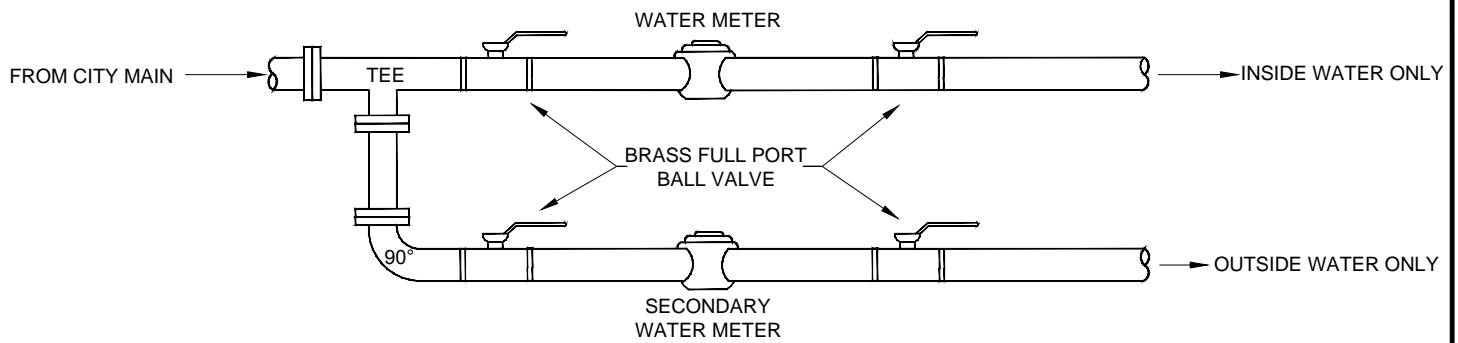
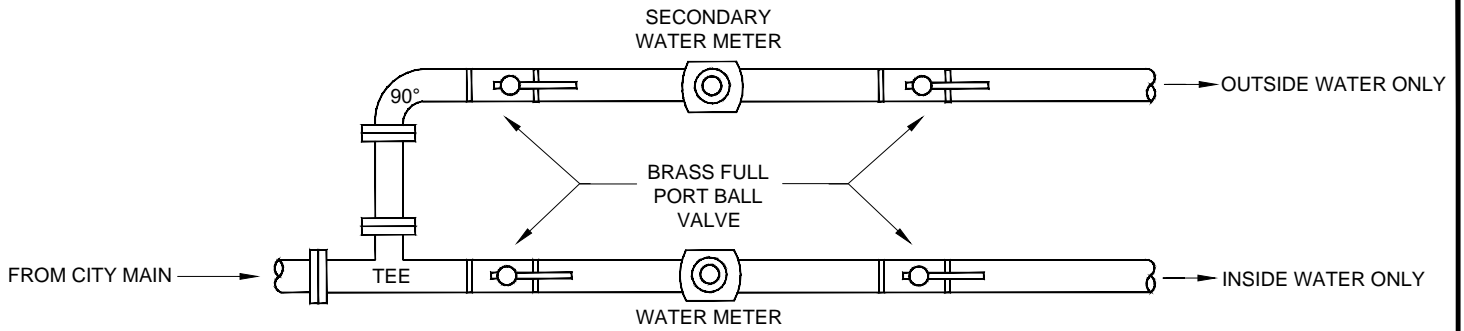
DATE: APRIL 2020

STANDARD CONSTRUCTION DRAWING



INDOOR WATER METER  
(COMMERCIAL/INDUSTRIAL)  
WITH BACKFLOW PREVENTION

DRAWING NO.  
WTR-07  
SHEET 7 OF 9



**NOTE:**

1. FOR EXISTING METER PITS, ALL SECONDARY METER PITS SHALL BE INSTALLED PER CITY OF MARYSVILLE STANDARDS.

NOT TO SCALE

DATE: APRIL 2020

STANDARD CONSTRUCTION DRAWING



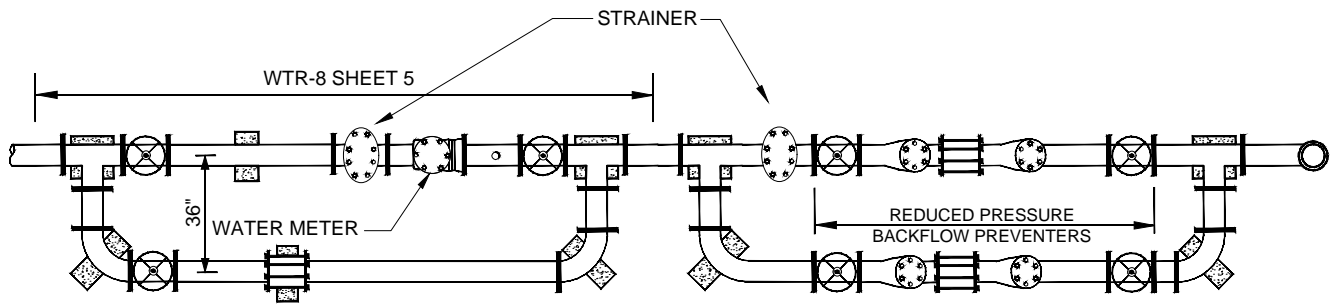
WATER METER  
SECONDARY METER INSTALLATION

DRAWING NO.

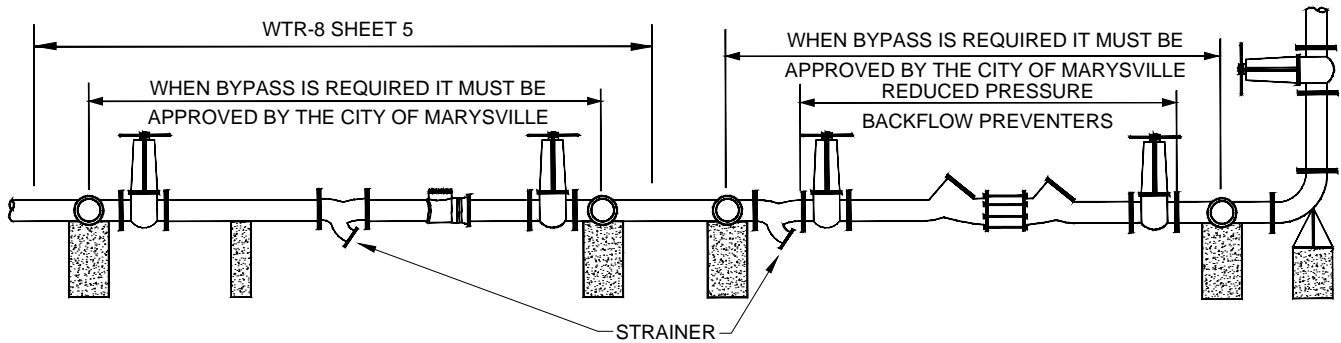
WTR-07

SHEET 8 OF 9





**PLAN VIEW**



**SECTION VIEW**

**NOTES:**

1. ALL PIPING TO BE 30" MIN FROM ANY WALL OR OBSTRUCTION.
2. THE DISTANCE FROM THE FLOOR BELOW THE METER ASSEMBLY TO THE CEILING OR ANY OBSTRUCTION ABOVE SHALL BE A MINIMUM OF 8' - 0".
3. METER DISTANCE FROM VALVES OR FITTINGS UPSTREAM SHALL BE 5 PIPE DIAMETERS.
4. VALVE TYPES:

- < 3" METER ———▶ USE BRASS FULL PORT BALL VALVE
- > 3" METER ———▶ USE OUTSIDE SCREW & YOLK

NOT TO SCALE

DATE: APRIL 2020

STANDARD CONSTRUCTION DRAWING



INDOOR WATER METER  
WITH DOUBLE BACKFLOW

DRAWING NO.  
WTR-07  
SHEET 9 OF 9