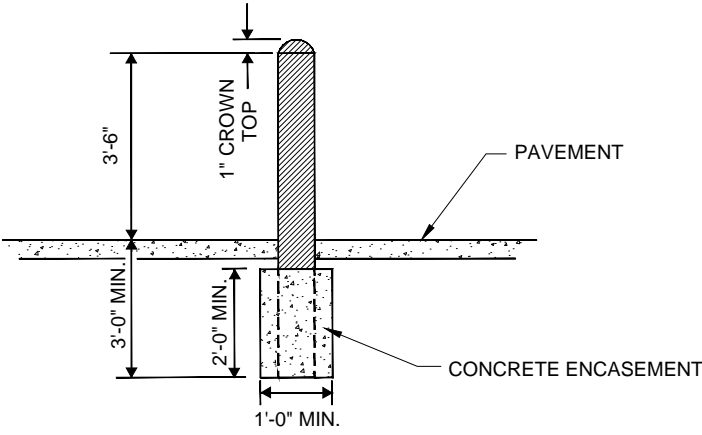
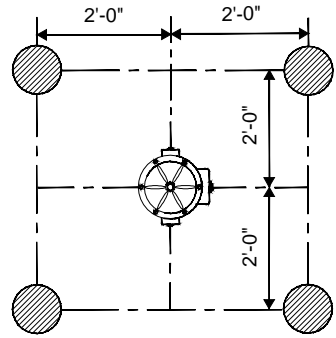


**NOTE:**  
 FIRE HYDRANTS SHALL BE NO MORE THAN 4' FROM THE EDGE OF PAVEMENT




**SECTION VIEW**



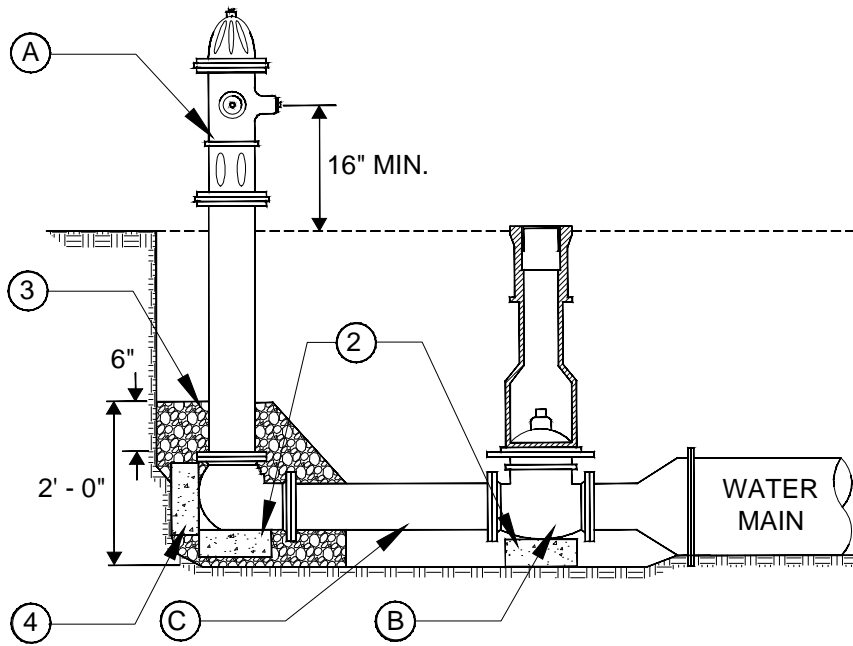
**PLAN VIEW**

- NOTE:**
1. 6" STEEL FIRE HYDRANT PROTECTION POST FILLED WITH CONCRETE AND CAPPED WITH CROWN TOP. WIRE BRUSH AND PAINT WITH ONE COAT OF PRIMER AND TWO COATS OF FEDERAL SAFETY YELLOW ENAMEL PAINT.
  2. BOLLARDS AROUND FIRE HYDRANT TO BE ADDED AS ADVISED BY THE CITY WATER SUPERINTENDENT.

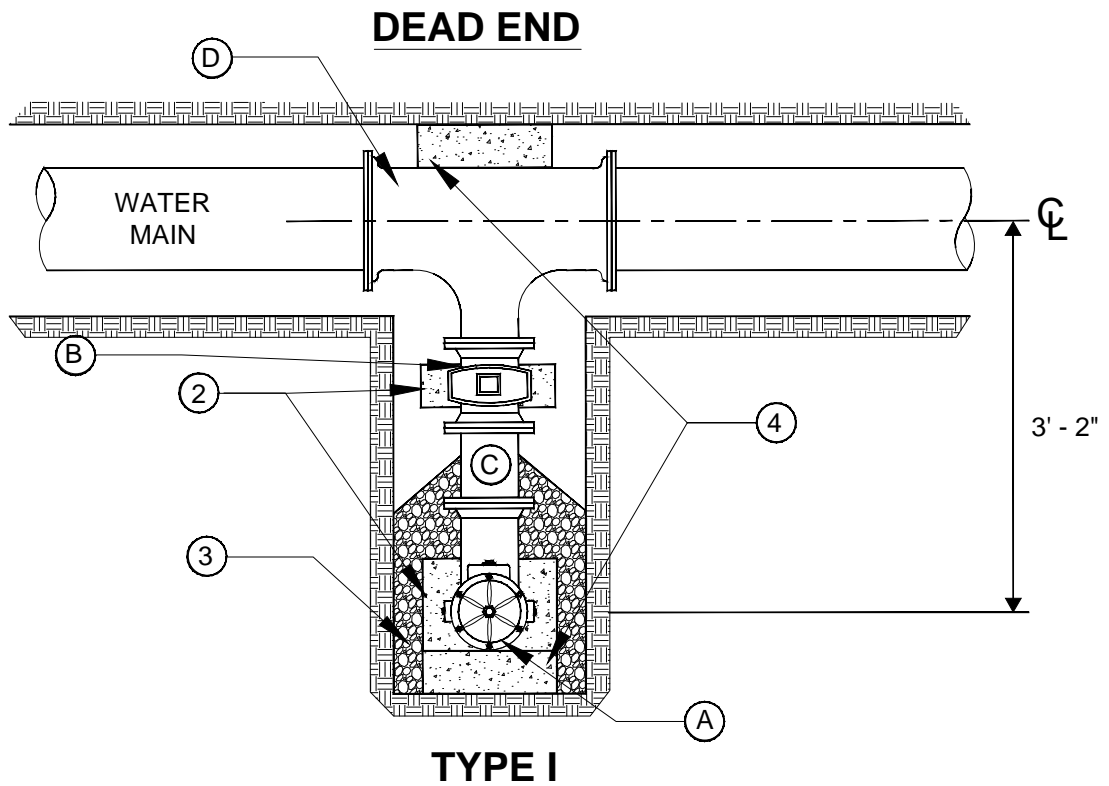
NOT TO SCALE

DATE: APRIL 2020	STANDARD CONSTRUCTION DRAWING	
	<b>FIRE HYDRANT LAYOUT &amp;          HYDRANT PROTECTION</b>	<b>DRAWING NO.          WTR-01          SHEET 1 OF 4</b>

**NOTE:**  
FOR ITEM DETAILS  
SEE SHEET 4



**NOTE:**  
FOR ITEM DETAILS  
SEE SHEET 4



NOT TO SCALE

DATE: APRIL 2020

STANDARD CONSTRUCTION DRAWING



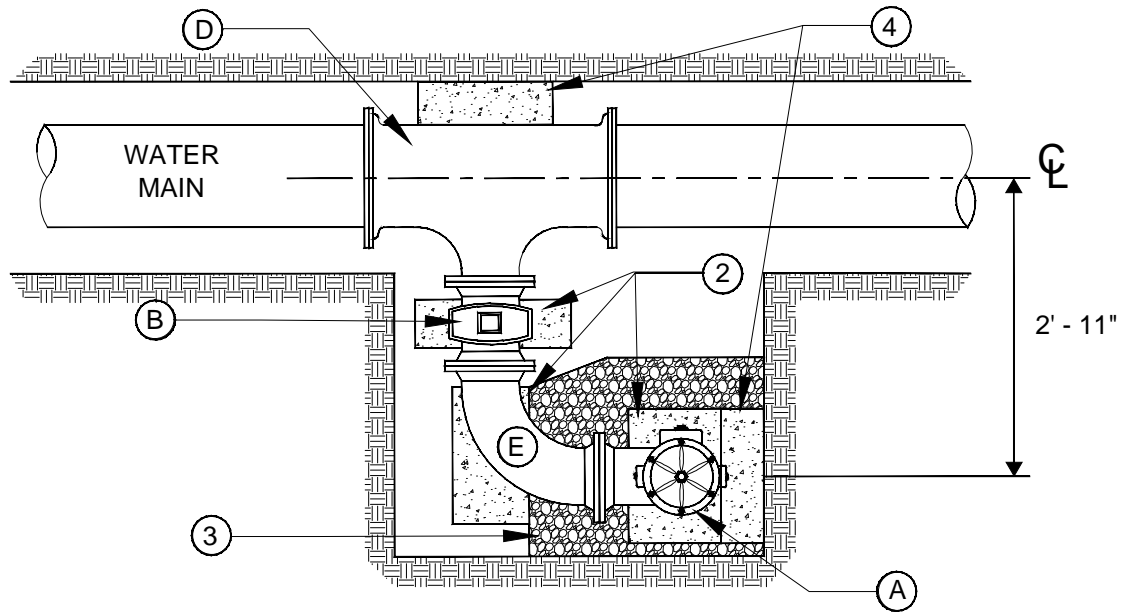
FIRE HYDRANT CONNECTION  
TO MAIN SECTION VIEW

DRAWING NO.

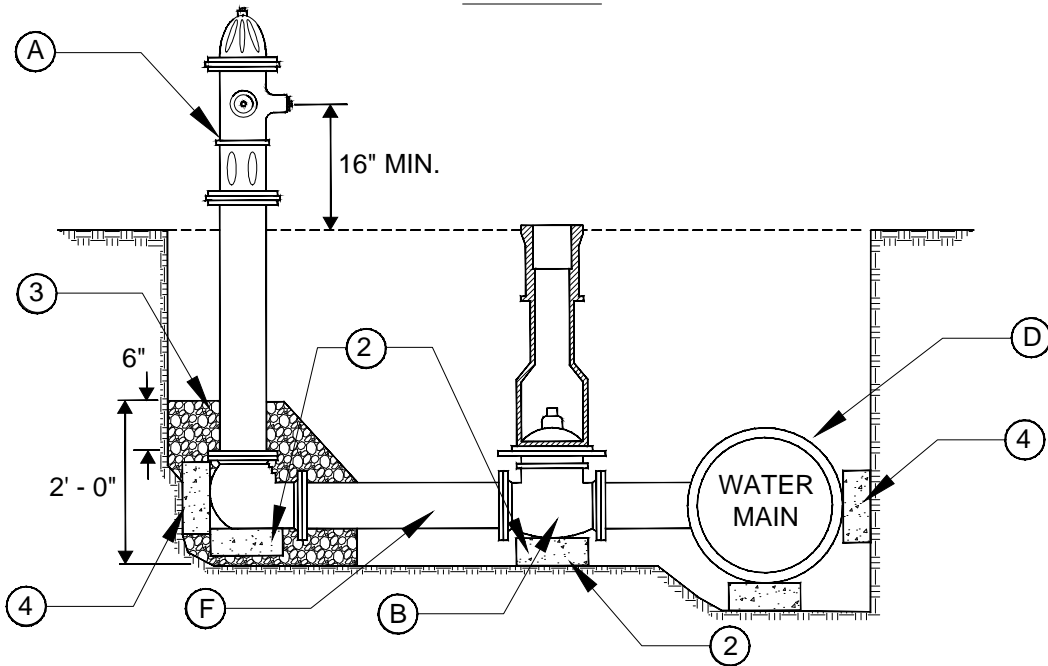
WTR-01

SHEET 2 OF 4

**NOTE:**  
FOR ITEM DETAILS  
SEE SHEET 4



**TYPE II**



**TYPE III**

NOT TO SCALE

DATE: APRIL 2020

STANDARD CONSTRUCTION DRAWING



FIRE HYDRANT CONNECTION  
TO MAIN PLAN VIEW

DRAWING NO.

WTR-01

SHEET 3 OF 4

**NOTE:**

1. THE DISTANCE FROM THE CENTERLINE OF THE MAIN TO THE CENTERLINE OF THE HYDRANT SHALL BE 34-38" EXCEPT WHEN INDIVIDUAL CIRCUMSTANCES PROVE IT TO BE INFEASIBLE. WHEN SUCH CIRCUMSTANCES OCCUR, THE LENGTH OF THE LEAD WILL BE NOTED ON THE DRAWINGS WITH STATIONING.
2. SOLID 4" X 8" X 16" CONCRETE BLOCK SHALL BE USED UNDER ALL VALVES AND HYDRANT ELBOWS.
3. CRUSHED #57 STONE FILL AROUND HYDRANT DRAIN TO A DEPTH OF 2' -0".
4. SOLID 4" X 8" X 16" CONCRETE BLOCK BRACED AGAINST UNDISTURBED SOIL. NO NEED FOR BLOCKING IF USING ANCHOR TEE WITH ANCHOR COUPLING OR ANCHOR 90° ON FIRE HYDRANTS.
5. PUMPER NOZZLE FACING STREET AND SHALL BE 2' - 0" BACK OF CURB WHERE APPLICABLE.

**TABLE 1: FIRE HYDRANT ASSEMBLY ITEMS**

<b>ITEM</b>	<b>DESCRIPTION</b>
<b>A</b>	MUELLER VALVE CO. HYDRANT, 3 WAY CENTURION 250 MODEL
<b>B</b>	6" M.J. GATE VALVE 3 PIECE VALVE BOX
<b>C</b>	12" LONG, 6" DIAMETER ANCHOR PIPE OR MEGA-LUGS AS ANCHORS
<b>D</b>	ANCHOR TEE (F1217) (MAIN DIAMETER) X 6"
<b>E</b>	6" DIAMETER ANCHOR ELBOW (F1218)
<b>F</b>	VARIABLE LENGTH PIPE

DATE: APRIL 2020

STANDARD CONSTRUCTION DRAWING



FIRE HYDRANT  
DETAILS

DRAWING NO.

WTR-01

SHEET 4 OF 4