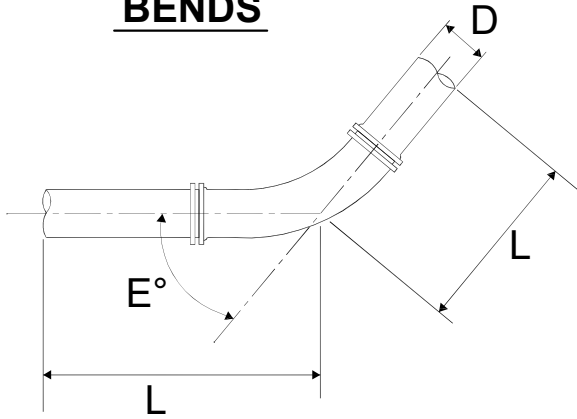
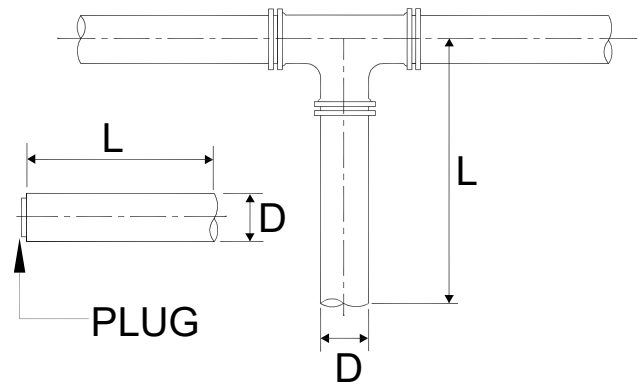


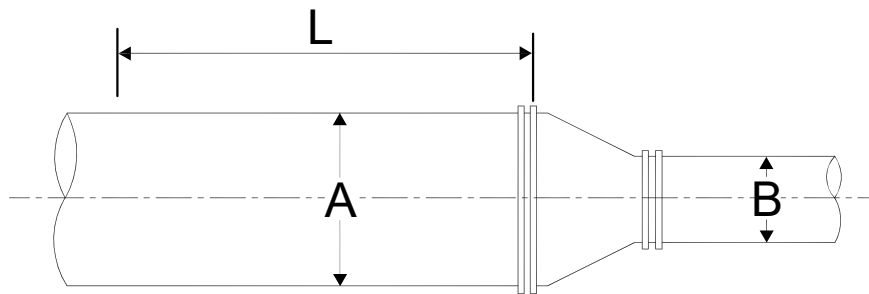
## BENDS



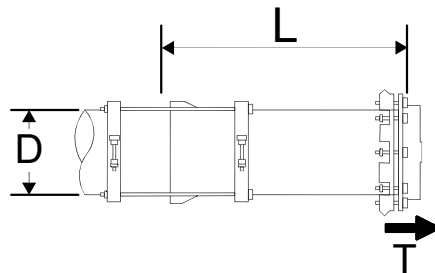
## TEES



## REDUCERS



## DEAD END



### **NOTE:**

1. REQUIREMENTS FOR RESTRAINED JOINTS SHALL BE DICTATED BY THE RESTRAINT LENGTH CALCULATOR MADE BY EBBA IRON SALES, INC. (<https://rlc.ebaa.com/calculator.php>)
2. THE FOLLOWING ASSUMPTIONS SHALL BE MADE ON ALL PUBLIC WATERLINE PROJECTS:

SOIL TYPE - CL  
SAFETY FACTOR - 1.5 TO 1.0  
TRENCH TYPE - 4  
TEST PRESSURE - 150 PSI

NOT TO SCALE

DATE: MARCH 2023

STANDARD CONSTRUCTION DRAWING



RESTRAINED JOINTS

DRAWING NO.  
WTR-03