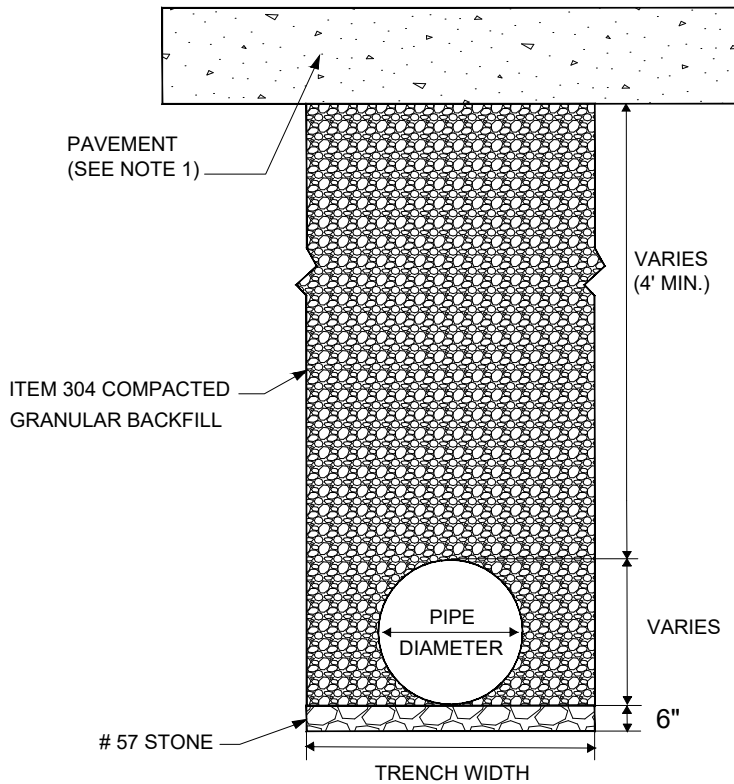
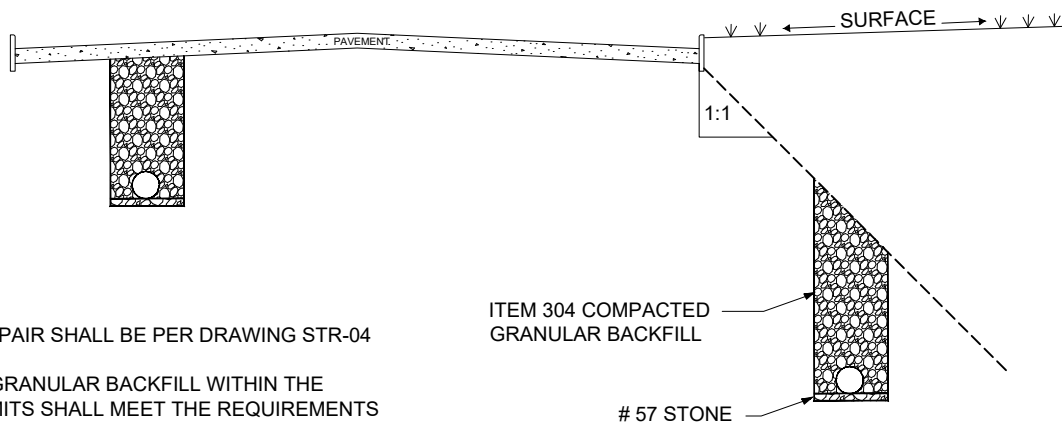


# INSIDE PAVEMENT LIMITS



PIPE DIAMETER	DIMENSIONS (INCHES)	
	MIN	MAX
6	30	48
8	30	48
10	30	48
12	32	48
15	36	50
16	38	52
18	40	53
20	42	56
21	44	57
24	48	60
27	52	64
30	57	67
33	61	71
36	64	74
42	71	81
48	78	88
54	87	95
60	96	102

# OUTSIDE PAVEMENT LIMITS



**NOTES:**

1. PAVEMENT REPAIR SHALL BE PER DRAWING STR-04
2. COMPACTED GRANULAR BACKFILL WITHIN THE PAVEMENT LIMITS SHALL MEET THE REQUIREMENTS OF CITY OF COLUMBUS ITEM 912.

NOT TO SCALE

DATE: APRIL 2021

STANDARD CONSTRUCTION DRAWING



TRENCH DETAIL

DRAWING NO.  
WTR-09