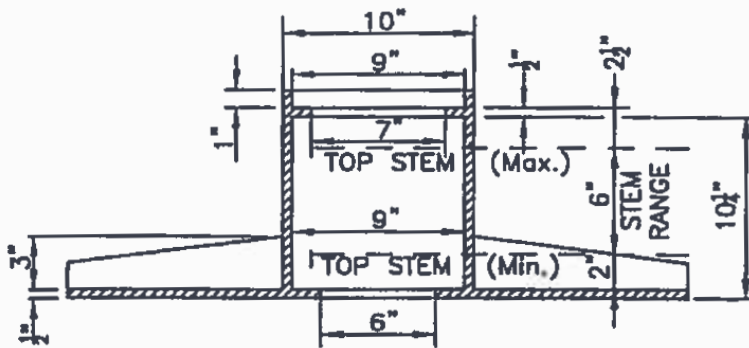
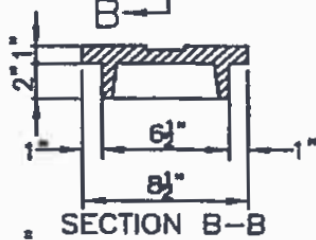
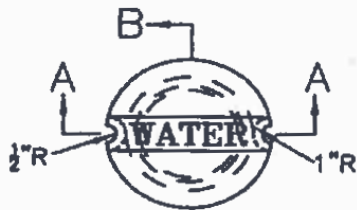


VALVE STEM SLEEVE
14 LBS.



VALVE BOX
120 LBS.

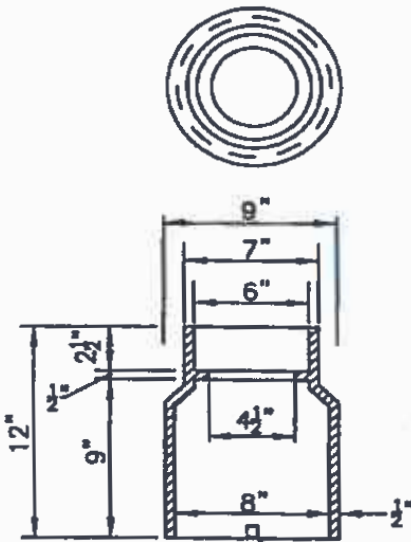


SECTION B-B



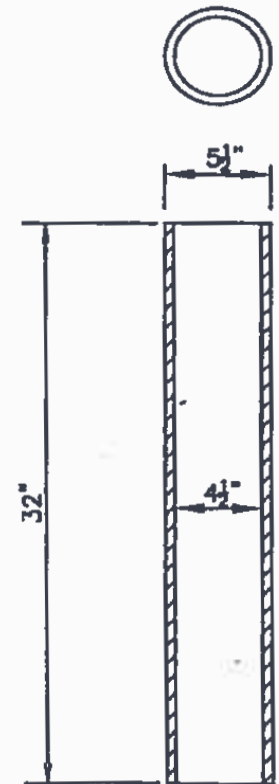
SECTION A-A

VALVE BOX LID
17 LBS.



BASE WILL BE LEVEL OVER VALVE NUT AND NUT NOT TO EXTEND MORE THAN 2" INTO BASE.

VALVE BOX BASE
41 LBS.



VALVE STEM
(OR 5" C.I. Pipe-ASA022)

AVERAGE WEIGHTS TO THE NEAREST EVEN LB. CALCULATED USING 0.26 LB/CCU. IN.

Date: 3/02/2018

Standard Construction Drawing



Typical Heavy Duty
Valve Box

Drawing No.
WTR-23