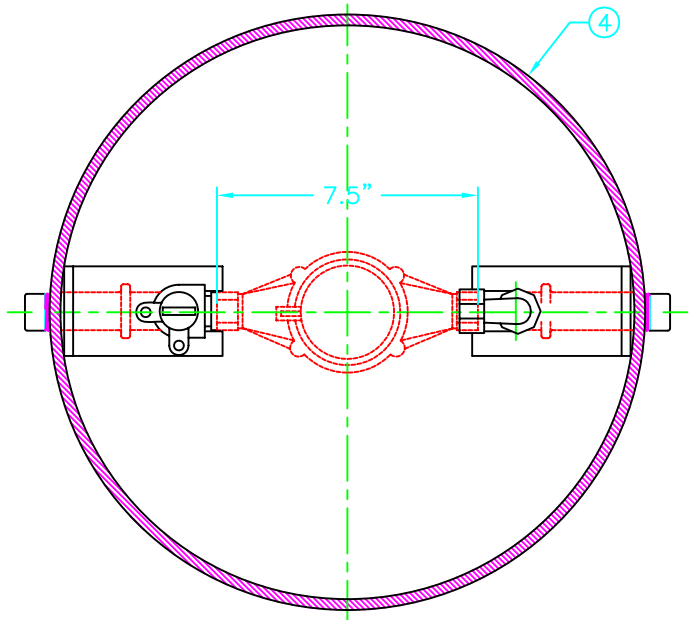
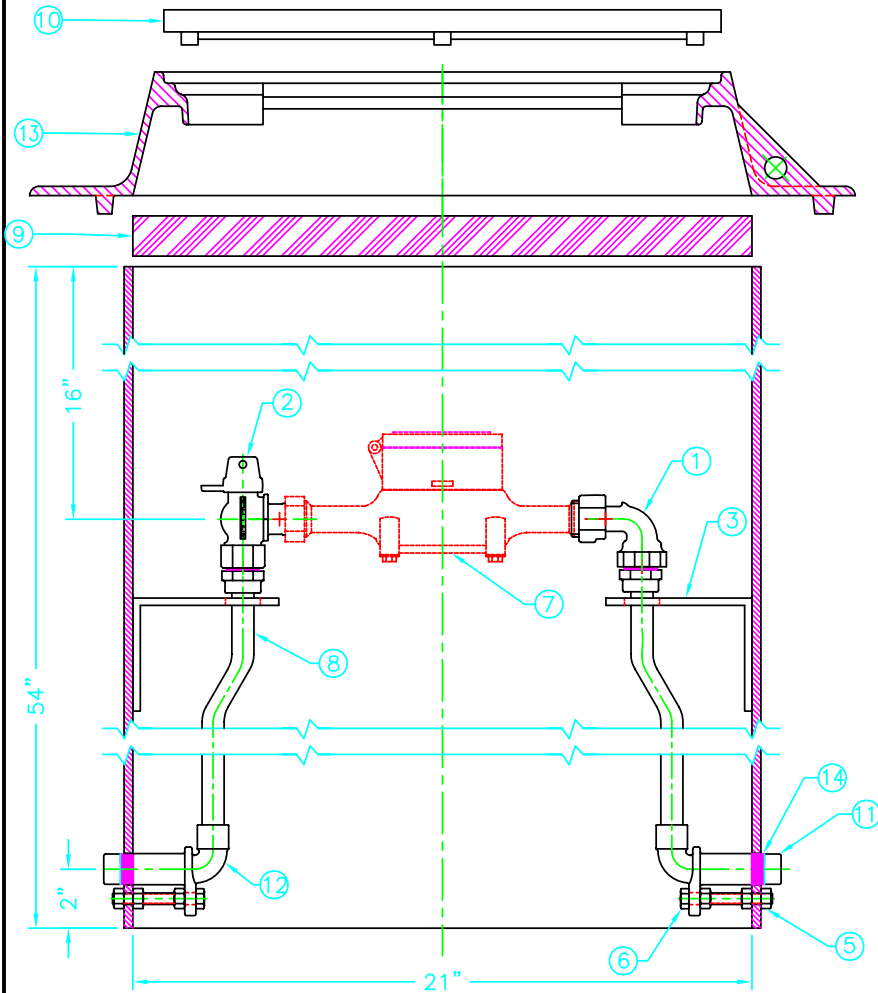




ITEM	DESCRIPTION	REQ'D
1	QTR BEND METER COUPLING (215H14210)	1
2	BALL ANGLE METER STOP (215B24265)	1
3	PLASTIC STABILIZING BRACKET	2
4	21" SHELL SUB-ASSEMBLY	1
5	SS HEX NUT	6
6	SS HEX BOLT	2
7	METER	1
8	3/4" COPPER RISER SUB-ASSEMBLY	2
9	INSULATING PAD (790119)	1
10	TOUCH READ LID (683594)	1
11	CAPLUG	2
12	90° BRASS ELBOW WITH MOUNTING FLANGE	2
13	LID FRAME (700098-1)	1
14	M.I.P. THREADED OUTLETS	2



TOP VIEW



SIDE VIEW

NOTE: METER NOT INCLUDED



Date: 3/02/2018

Standard Construction Drawing



Rigid Copper Single Meter Pit

Drawing No.  
WTR-34A