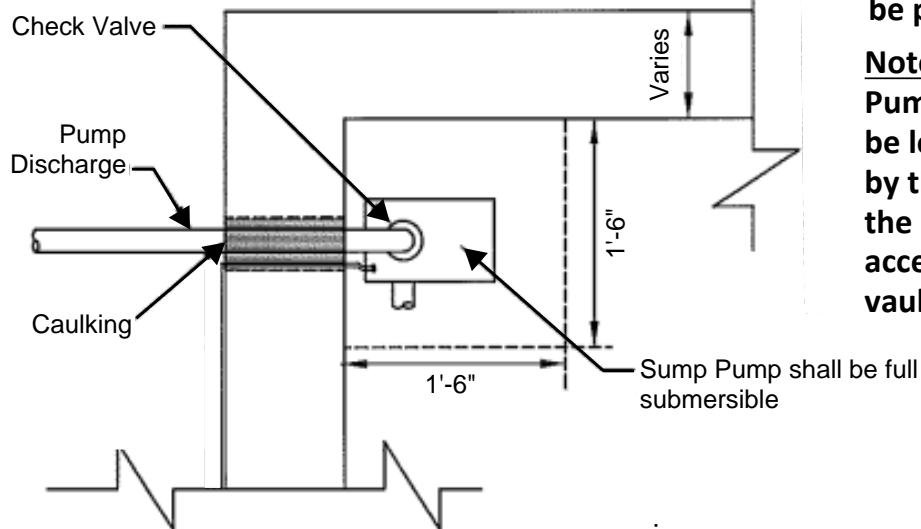
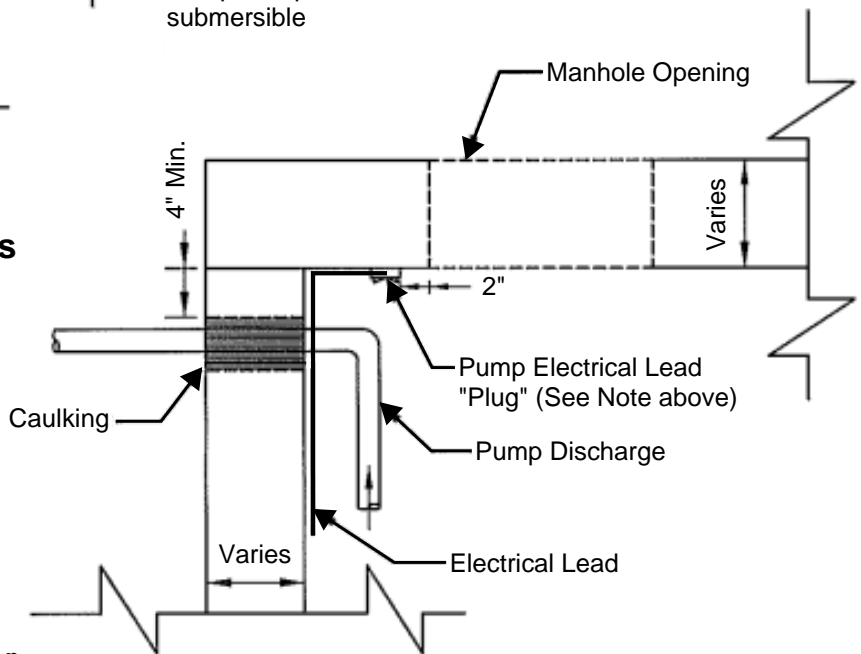


- Note:**
Sump Pump shall be set in a position clear of manhole steps
- Note:**
Piping or Electrical Leads shall not be placed in the manhole opening
- Note:**
Pump Electrical Lead "Plug" shall be located at a location approved by the Division of Water (close to the access hatch and easily accessible from above the meter vault)



NOTE:
The length and direction of the Pump Discharge Pipe shall be as required to prevent re-entry of discharge into the Pit.



NOTE:
Use of a Sump Pump Requires Prior Expressed Approval from the Division of Water and Engineering Office

Date: 3/02/2018

Standard Construction Drawing



Meter Vault Setting
Sump Pump Detail

Drawing No.
WTR-30