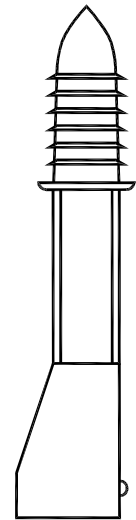
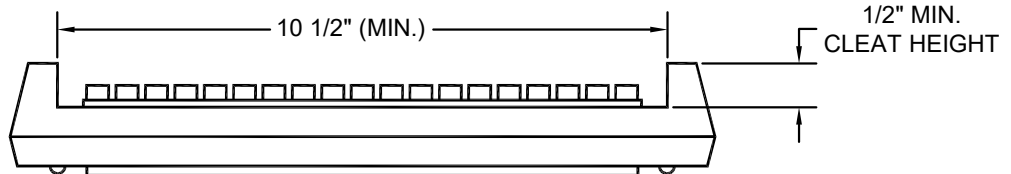


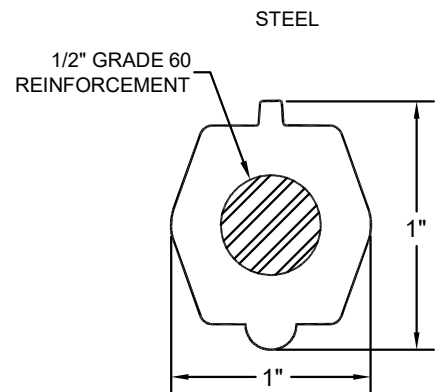
TOP VIEW



SIDE VIEW



FRONT VIEW



SECTION A-A

NOTE:

1. STEPS SHALL MEET THE REQUIREMENTS OF ASTM C478 AND SHALL BE INSTALLED WITH A UNIFORM VERTICAL SPACING OF 12" TO 16".
2. ALL STEPS SHALL HAVE A DEPRESSED TREAD OR 1/2" MINIMUM CLEAT HEIGHT AT THE ENDS.
3. STEPS INSTALLED IN EXISTING STRUCTURES SHALL BE SET IN A QUICK SETTING NON-SHRINK EPOXY.

NOT TO SCALE

DATE: MARCH 2023

STANDARD CONSTRUCTION DRAWING



MANHOLE STEPS

DRAWING NO.

SAS-09