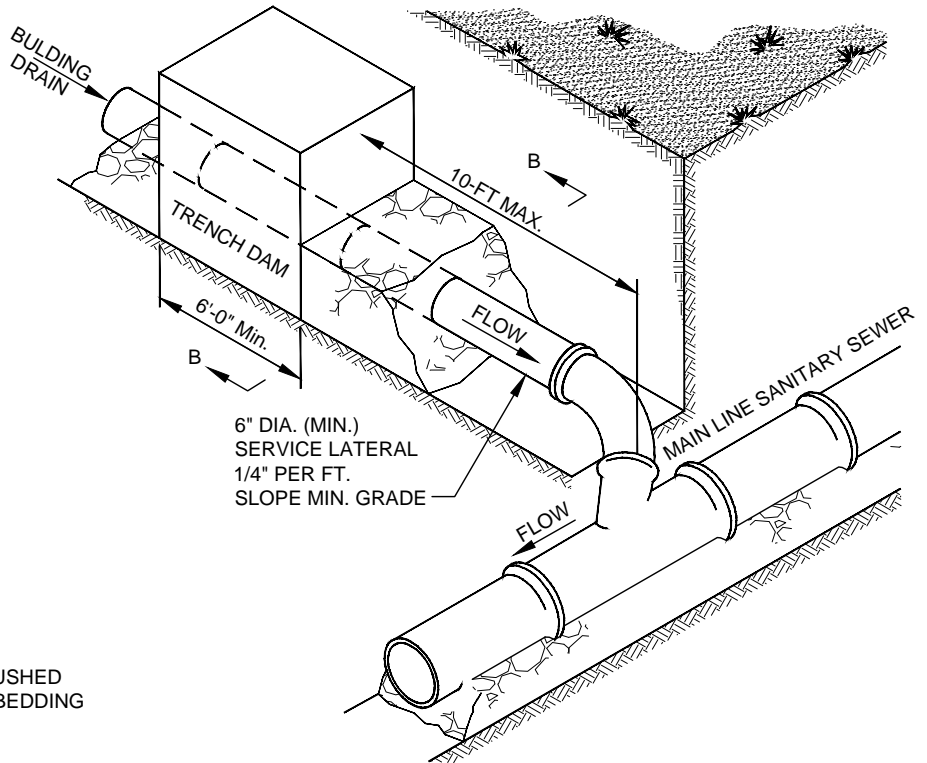


TYPICAL SERVICE LATERAL

NOTE:
SOLVENT WELD MUST BE WITHIN THE BUILDING IT SERVES.

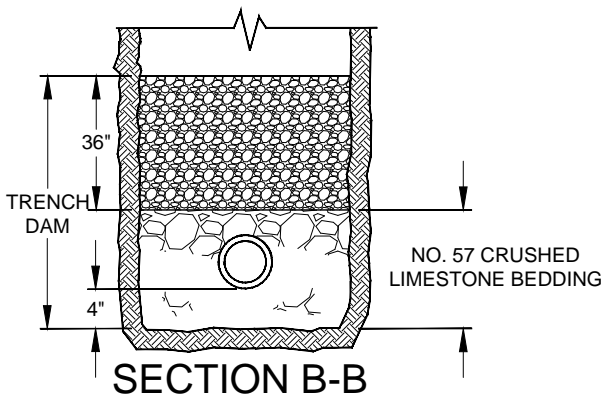


ISOMETRIC VIEW

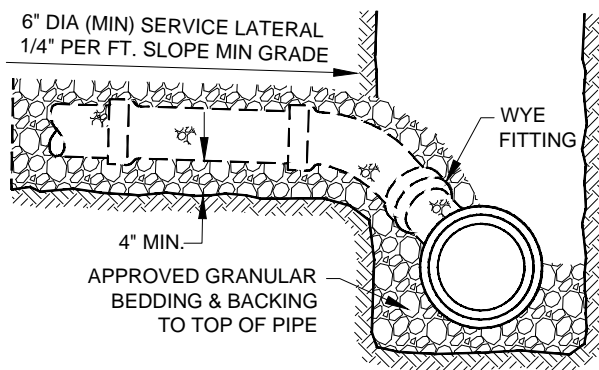
"SOLVENT WELD" DETAIL

NOTE:

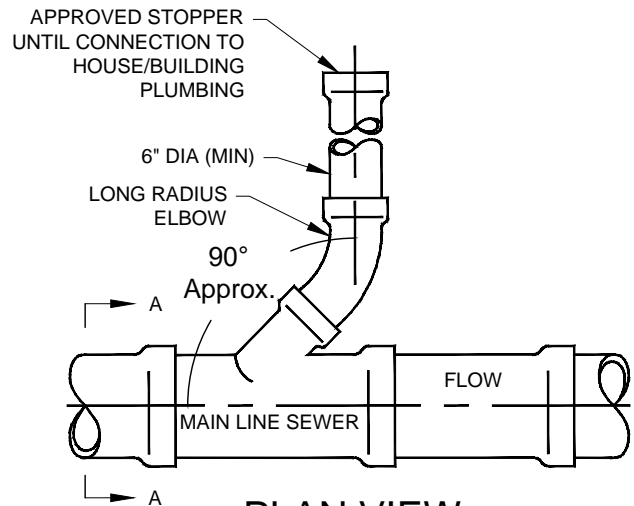
- FOR CLAY DAM DETAIL SEE SAS-04
- DEEP SOCKET FITTINGS ARE REQUIRED FOR ANY LATERAL CONNECTIONS 10'-0" DEEP OR GREATER.
- NOT TO SCALE



SECTION B-B



SECTION A-A



PLAN VIEW

NOT TO SCALE

DATE: SEPT. 2020

STANDARD CONSTRUCTION DRAWING



TYPICAL SERVICE LATERAL

DRAWING NO.
SAS-02