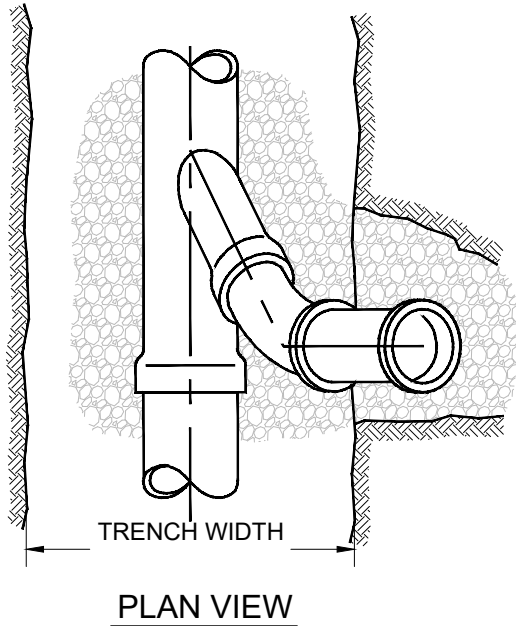
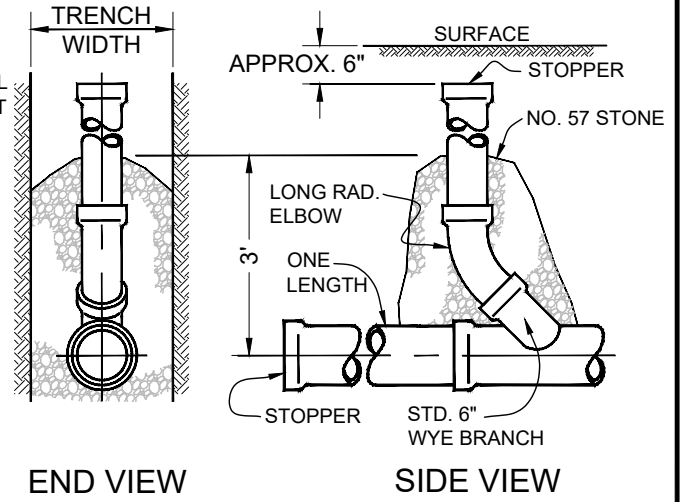


## TYPICAL RISER

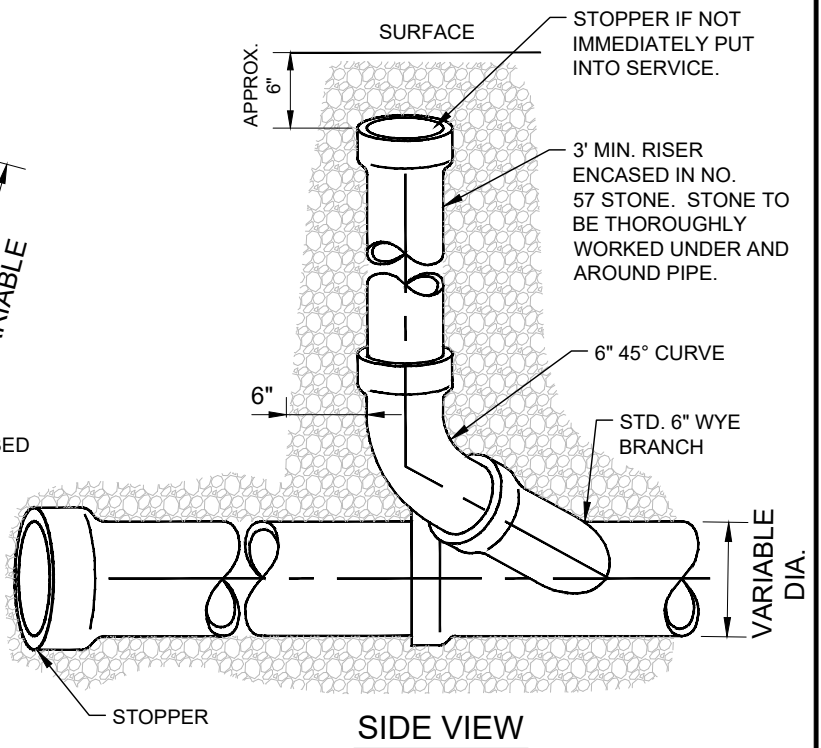
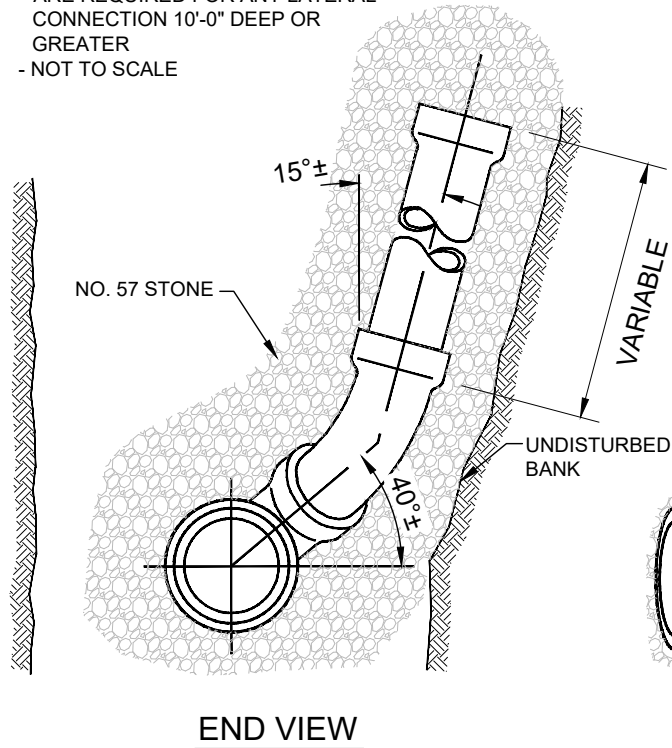


## TYPICAL CLEANOUT

**NOTE:**  
- LATERALS 100'+ SHALL REQUIRE A CLEANOUT EVERY 100'



**NOTE:**  
- DEEP SOCKET FITTINGS ARE REQUIRED FOR ANY LATERAL CONNECTION 10'-0" DEEP OR GREATER  
- NOT TO SCALE



NOT TO SCALE

DATE: SEPT. 2020

STANDARD CONSTRUCTION DRAWING



TYPICAL RISER AND  
CLEANOUT

DRAWING NO.  
SAS-03