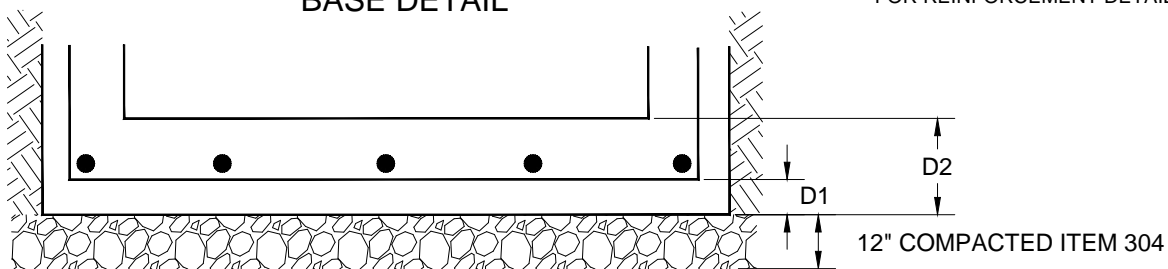


**MANHOLE CROSS SECTION**

**BASE DETAIL**



**NOTE:**  
FOR REINFORCEMENT DETAILS SEE TABLES I & II

NOT TO SCALE

DATE: SEPT. 2020

STANDARD CONSTRUCTION DRAWING



PRE-CAST TYPE A  
CONCRETE MANHOLE

DRAWING NO.

SAS-07

SHEET 1 OF 3

**TABLE I**

MANHOLE BASE D3	MAXIMUM PIPE DIAMETER		TOTAL MANHOLE HEIGHT			
			0-40'		40-60'	
	STRAIGHT PIPE	RIGHT ANGLE	REBAR CENTERLINE D1	DEPTH OF BASE CONCRETE D2	REBAR CENTERLINE D1	DEPTH OF BASE CONCRETE D2
48"	31"	25"	4"	8"	5"	10"
60"	42"	32"	5"	10"	6"	12"
72"	51"	38"	6"	12"	8"	16"
84"	-	44"	7"	14"	10"	20"
90"	-	50"	8"	16"	11"	22"

**TABLE II**

SLAB REINFORCEMENT (Sq in/Ft)				
TOTAL MANHOLE HEIGHT	D3 = 60"		D3 > 60"	
	BASE SLAB	FLAT SLAB	BASE SLAB	FLAT SLAB
0-10'	0.17	0.17	0.17	0.17
10-20'	0.22	0.32	0.31	0.32
20-30'	0.27	0.44	0.46	0.49
30-40'	0.32	0.57	0.62	0.67
40-50'	0.36	0.69	0.64	0.85
50'-	0.38	0.82	0.64	1.04

**DETAIL NOTES:**

1. MANHOLES SHALL BE IN ACCORDANCE WITH ASTM C-478.
2. PRE-CAST WALLS SHALL HAVE A MINIMUM THICKNESS OF 6" AND BE SUFFICIENTLY REINFORCED TO PERMIT SHIPPING AND HANDLING WITHOUT DAMAGE.
3. MANHOLES MUST BE SET ON A FOUNDATION OF 12" OF COMPACTED GRANULAR BACKFILL, ODOT ITEM 304.
4. ALL SANITARY MANHOLES SHALL REQUIRE A CONCRETE COLLAR, UNLESS OTHERWISE SPECIFIED.
5. SURFACE DRAINAGE SHOULD ALWAYS BE DIRECTED AWAY FROM THE MANHOLE.
6. FLAT SLAB TRANSITIONS MAY BE USED IN LIEU OF ECCENTRIC CONES WITH APPROVAL FROM THE CITY ENGINEER.
7. ALL MANHOLES ARE TO BE SEALED WITH A CHIMNEY SEAL. WRAPIDSEAL IS TO BE USED AROUND ALL BARREL JOINTS.

DATE: SEPT. 2020

STANDARD CONSTRUCTION DRAWING

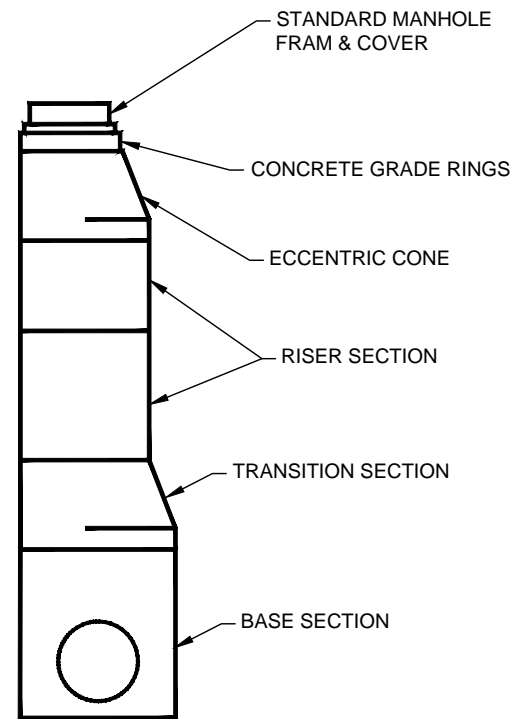
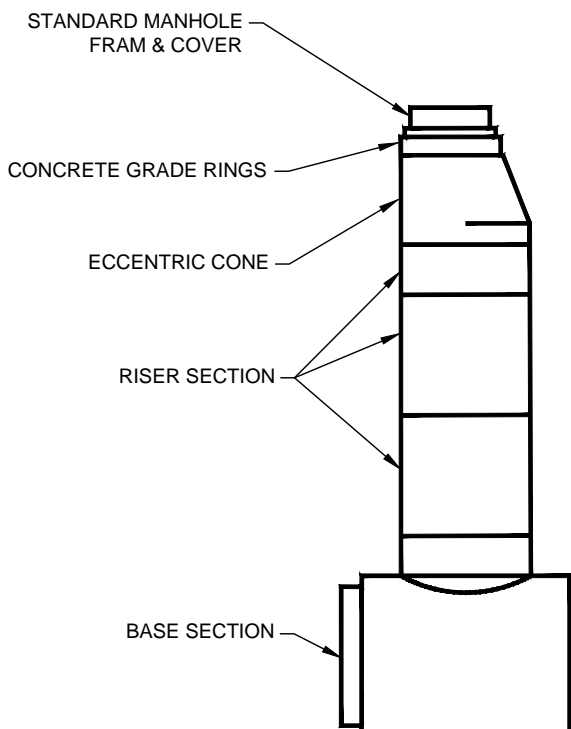
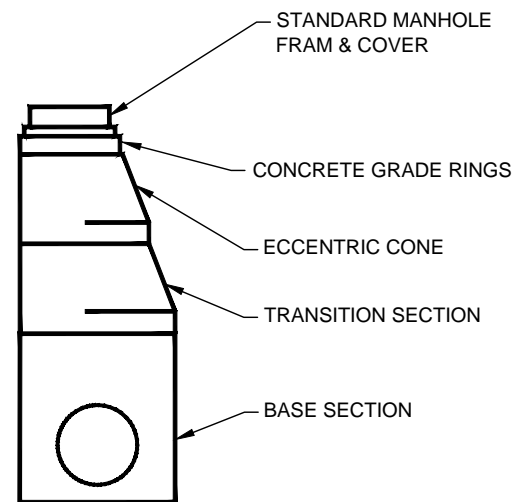
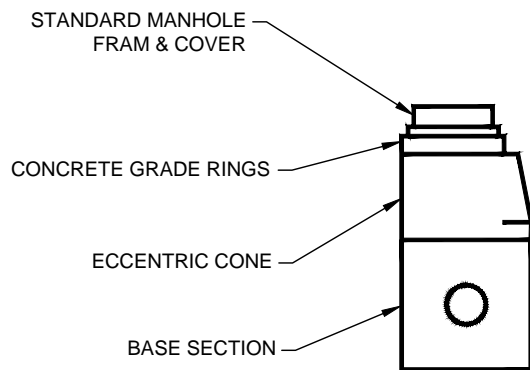
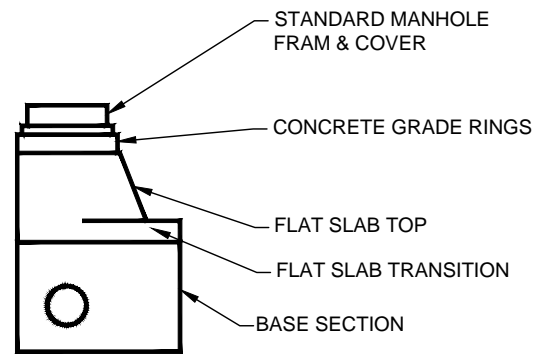
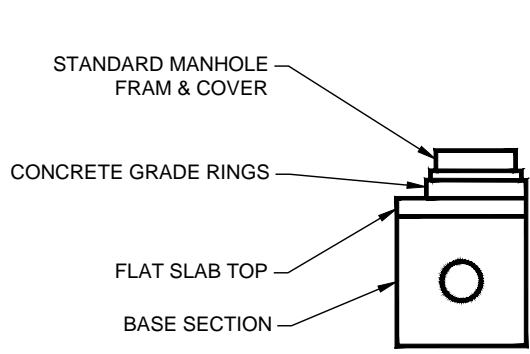


PRE-CAST TYPE A CONCRETE  
MANHOLE

DRAWING NO.

SAS-07

SHEET 2 OF 3



NOT TO SCALE

DATE: SEPT. 2020 STANDARD CONSTRUCTION DRAWING



PRE-CAST TYPE A CONCRETE  
MANHOLE

DRAWING NO.  
**SAS-07**  
SHEET 3 OF 3