

NOT TO SCALE

DATE: SEPT. 2020

STANDARD CONSTRUCTION DRAWING

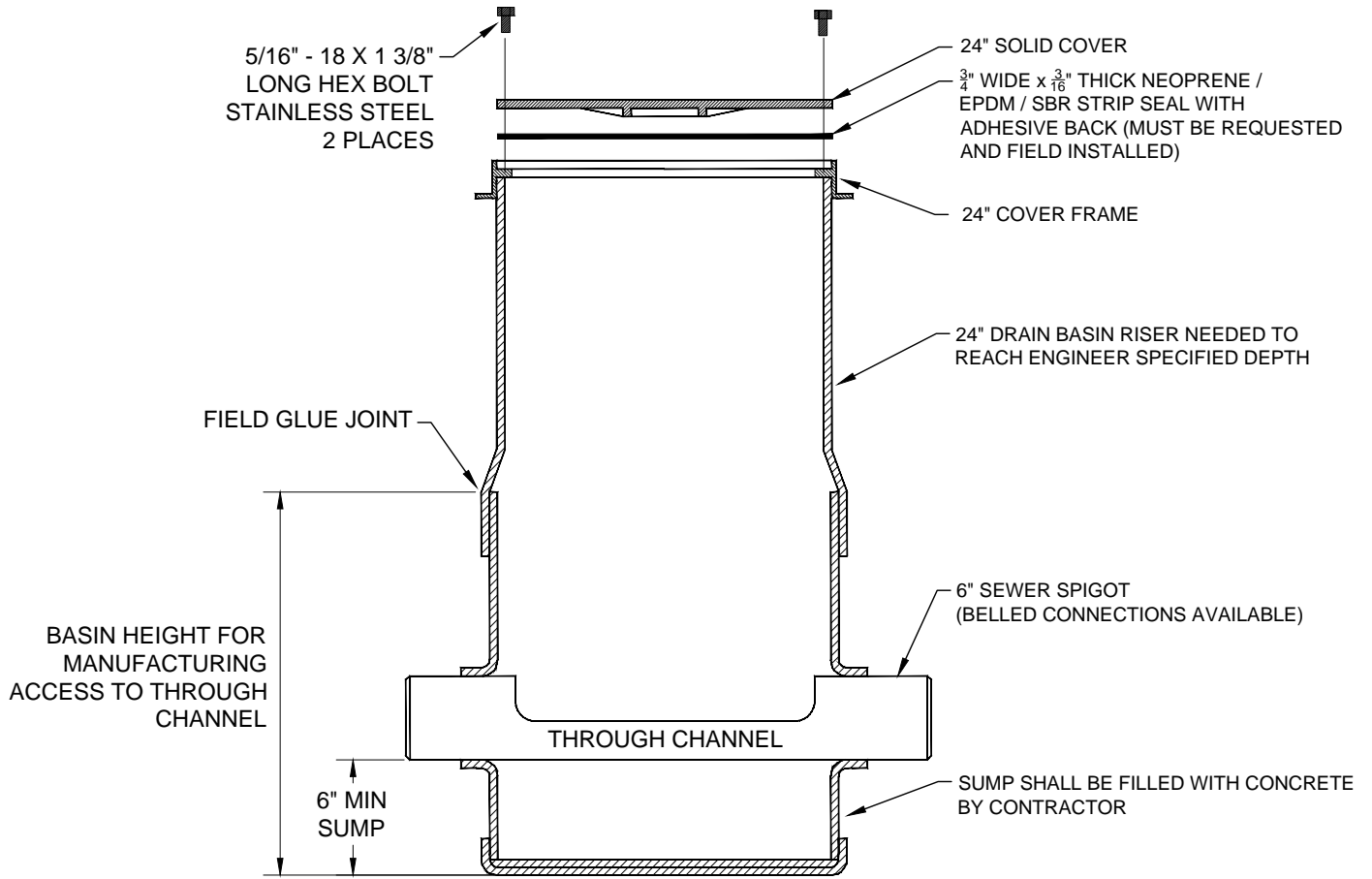


INSPECTION MANHOLE
WITHIN PAVEMENT

DRAWING NO.

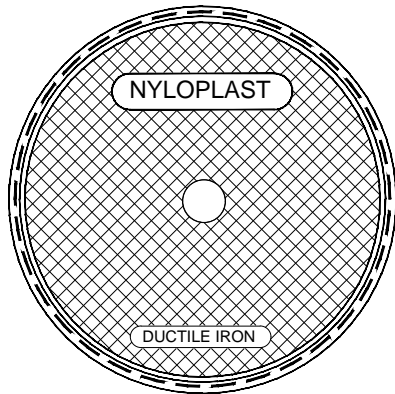
SAS-19

SHEET 1 OF 2

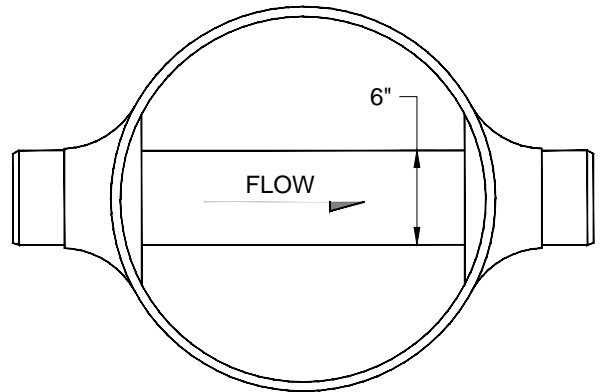


SECTION VIEW

NOTE:
 NYOPLAST 24" BASIN WITH THROUGH CHANNEL FOR SANITARY SEWER CLEANOUT, OR EQUAL



FRAME & COVER TOP VIEW



BASIN TOP VIEW

NOT TO SCALE

DATE: SEPT. 2020

STANDARD CONSTRUCTION DRAWING



INSPECTION MANHOLE OUTSIDE PAVEMENT

DRAWING NO.
 SAS-19
 SHEET 2 OF 2