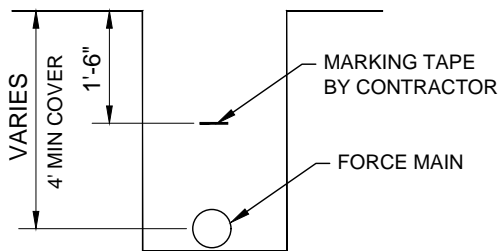
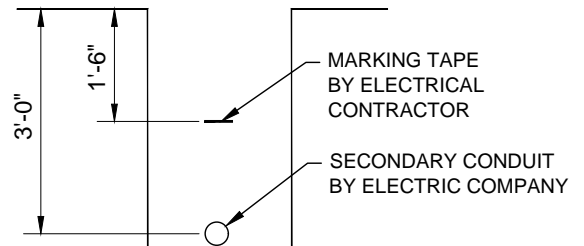


PUMP STATION SITE PLAN



NOTE:
COST TO BE INCLUDED IN PRICE BID FOR SEWAGE FORCE MAIN

MARKING TAPE DETAIL



NOTE:
ALL WORK TO BE DONE BY ELECTRICAL CONTRACTOR

ELECTRICAL TRENCH DETAIL

NOT TO SCALE

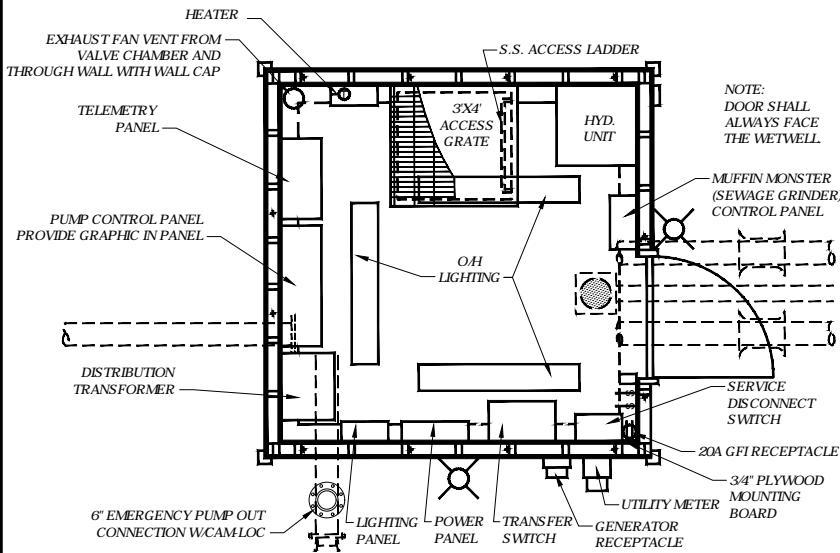
DATE: SEPT. 2020

STANDARD CONSTRUCTION DRAWING



PUMP STATION
SITE LAYOUT

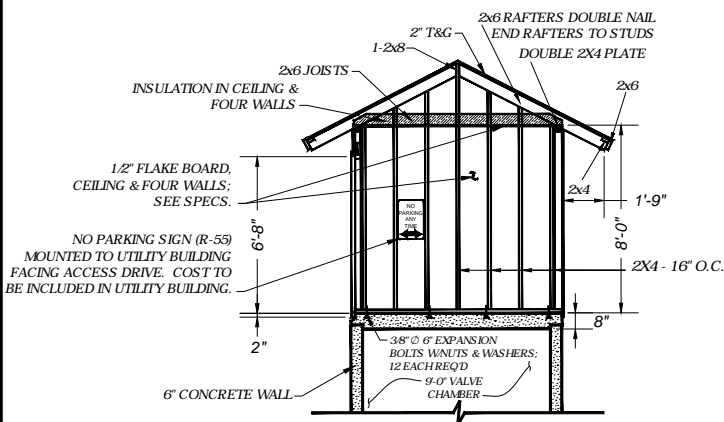
DRAWING NO.
SAS-22
SHEET 1 OF 5



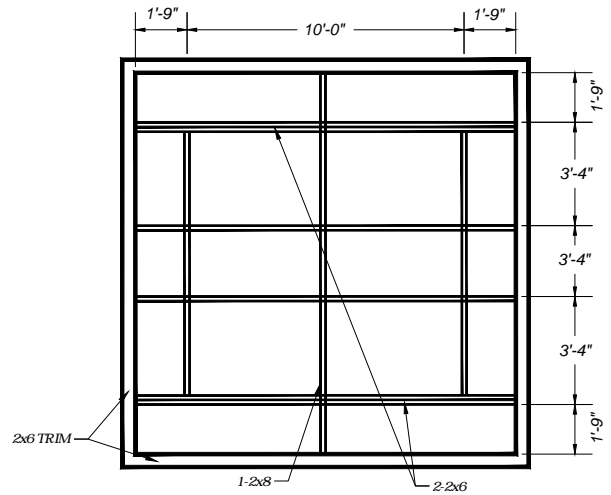
NOTES:

- PROPOSED PUMP STATIONS SHALL CONFORM TO THE REQUIREMENT OF CHAPTER 11 OBBC AND THE "AMERICANS WITH DISABILITIES ACT ACCESSIBILITY GUIDELINES" (ADAAG) AS MODIFIED BY SECTIONS 1102.2 AND 1103.0 OBBC.
- INSTALLATION OF PLUMBING EQUIPMENT AND SYSTEMS SHALL COMPLY WITH OBBC CHAPTER 29 AND THE OHIO PLUMBING CODE (OPC).
- MECHANICAL EQUIPMENT SHALL BE INSTALLED IN ACCORDANCE WITH ITS UNDERWRITER APPROVAL, THE MANUFACTURERS RECOMMENDATIONS, SPECIFICATIONS, AND GOOD ENGINEERING PRACTICES: ARTICLES M-401 AND M-403.1 OF THE OBM.C.

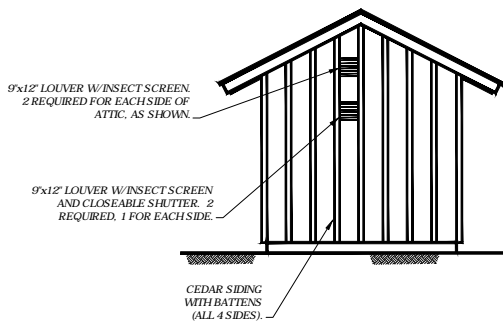
EQUIPMENT LAYOUT DETAIL



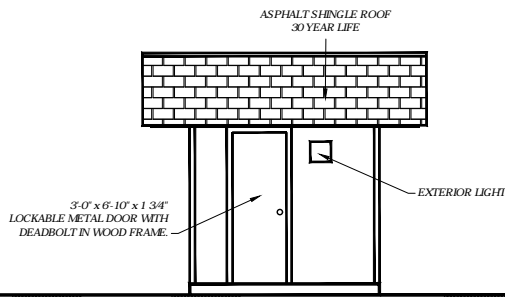
BUILDING SECTION



ROOF FRAMING PLAN



SIDE VIEW



FRONT VIEW

NOT TO SCALE

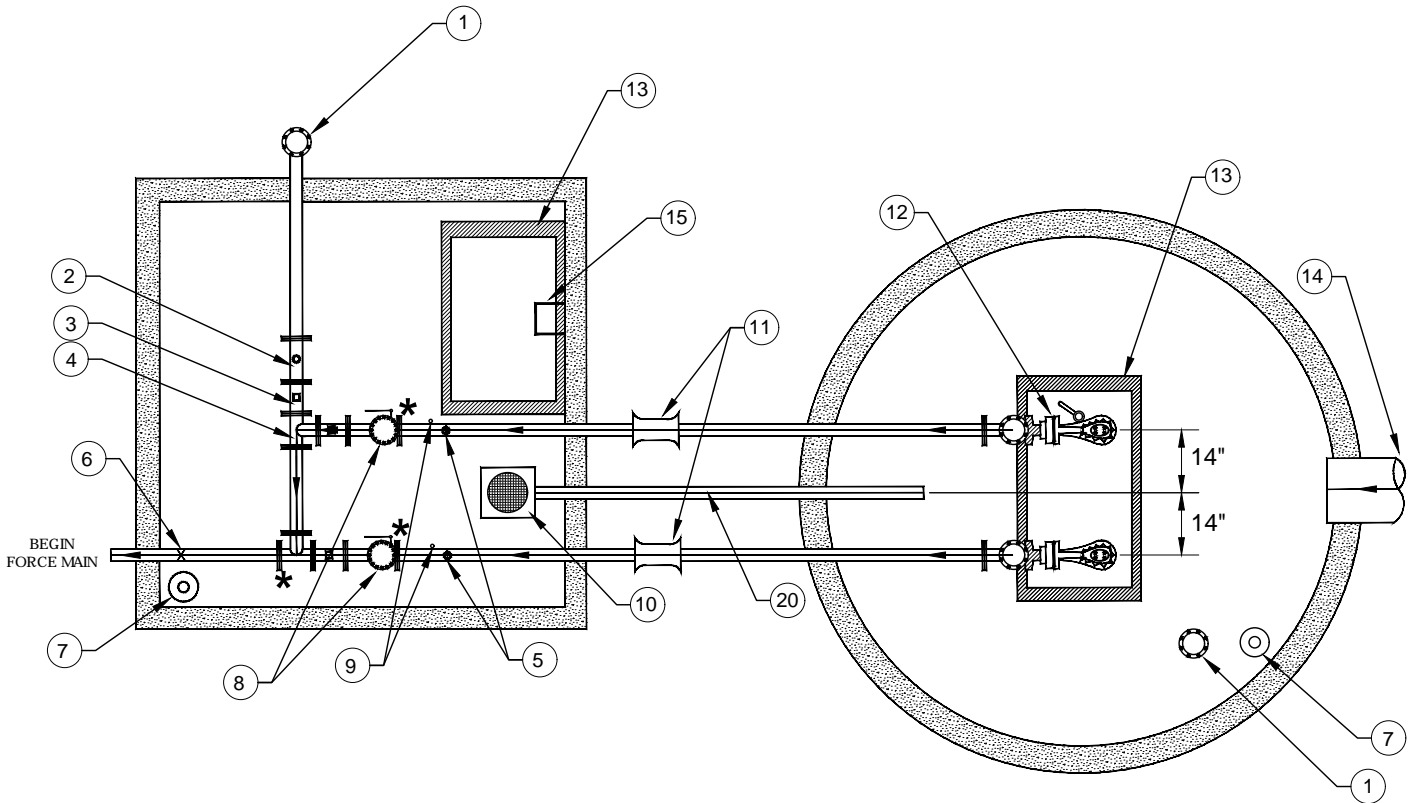
DATE: SEPT. 2020

STANDARD CONSTRUCTION DRAWING



PUMP STATION BUILDING
& EQUIPMENT LAYOUT

DRAWING NO.
SAS-22
SHEET 2 OF 5



PLAN VIEW

NOT TO SCALE

DATE: SEPT. 2020

STANDARD CONSTRUCTION DRAWING

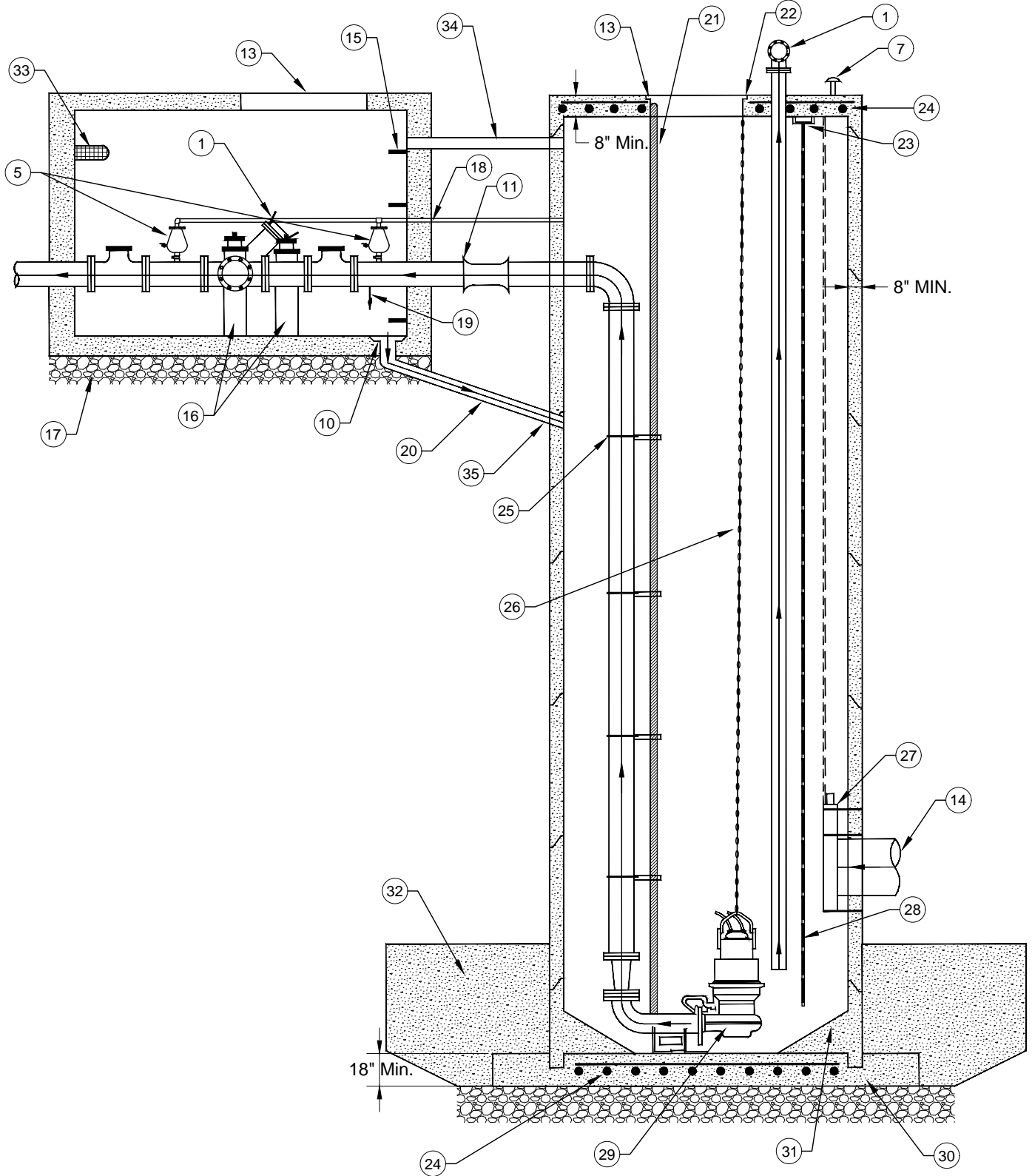


PUMP STATION
PLAN VIEW

DRAWING NO.

SAS-22

SHEET 3 OF 5



SECTION VIEW

NOT TO SCALE

DATE: SEPT. 2020 STANDARD CONSTRUCTION DRAWING



**PUMP STATION
SECTION VIEW**

**DRAWING NO.
SAS-22
SHEET 4 OF 5**

NOTES:

*** 3" LONG D.I. FLANGE FILLERS BETWEEN FITTINGS (3 LOCATIONS)**

1. EMERGENCY PUMPING CONNECTION. 6" CAM-LOCK WITH CAP
2. 6" FLANGED BALL CHECK VALVE HDL TYPE 5087A-3, HORIZONTAL POSITION
3. 6" FLANGED ECCENTRIC PLUG VALVE, CLOW F-5412 (3 REQUIRED)
4. 6" X 6" X 6" FLANGED TEE
5. 2" A.R.I. D-025 AIR RELEASE VALVE (2 REQUIRED)
6. FULL FLOW VALVE
7. 8" STAINLESS STEEL AIR VENT PIPE WITH STAINLESS STEEL INSECT/VARMIN SCREEN
8. 6" FLANGED CHECK VALVE, CLOW STYLE F-5382 (2 REQUIRED)
9. INSTALLED GUAGE COCK AND PRESSURE GUAGES
10. FLOOR DRAIN (ZURN #Z550) WITH BALL TYPE BACKWATER VALVE & DRUM TRAP (ZURN #Z-1099) WITH 6" OUTLET & 9" STRAINER. SLOPE FLOOR 1" TO DRAIN
11. (2) 6" SOLID M.J. SLEEVES REQUIRED. "MEGALUG" OR EQUAL, (4) GLANDS REQUIRED
12. FLYGT MIX-FLUSH VALVE
13. 40" X 55" ALUMINUM ACCESS HATCH WITH DOUBLE GRATE, STYLE # FLE-8OSH, HINGED LEAF TO BE LOCKABLE. PROPER PUMP REMOVAL CLEARANCE TO BE COORDINATED WITH PUMP MANUFACTURER
14. INFLOW
15. STEPS (SEE SAS-09)
16. 8" X 12" CONCRETE SUPPORT (5 REQUIRED)
17. 6" GRAVEL LEVELING COURSE
18. 2" VENT LINE WITH CHECK VALVE
19. 1" DRAIN LINE WITH 1 " BRASS PLUG VALVE
20. 6" SDR-35 PVC DRAIN WITH CHECK VALVE AND TRAP
21. 2" STAINLESS STEEL SCHEDULE 40 PIPE (1 REQUIRED PER PUMP)
22. HOIST FLOOR SOCKET
23. 6" BLIND FLANGE FLOAT CONTROL BRACKET (ROTATED FOR CLARITY)
24. STEEL REINFORCEMENT (AS DIRECTED BY ENGINEER)
25. INTERMEDIATE BRACING (AS DIRECTED BY ENGINEER)
26. 1/4 " STAINLESS STEEL LIFTING CHAIN WITH LIFT EYES. PROVIDE 2' EXTRA CHAIN BEYOND DEPTH OF WELL
27. MUFFIN MONSTER GRINDER WITH LIFT OUT RAIL SYSTEM
28. MULTITRODE LIQUID LEVEL CONTROL SYSTEM (ROTATED FOR CLARITY) TO BE MOUNTED AWAY FROM INFLUENT PER MANUFACTURERS INSTRUCTION
29. FLYGT PUMPS, NP 3171.181, 454 IMPELLER WITH 25 HP MOTORS
30. 8" CONCRETE BASE BY PRECAST CONCRETE MANHOLE SUPPLIER
31. SUPPLIER CONCRETE FILLET
32. 14 CY OF CLASS "C" CONCRETE FOR ANTI-BUOYANCY
33. EXPLOSION PROOF LIGHT FIXTURE
34. 2" CONDUIT FOR CHEMICAL FEED
35. AIR TRAP

NOT TO SCALE

DATE: SEPT. 2020

STANDARD CONSTRUCTION DRAWING



PUMP STATION
DETAILS

DRAWING NO.

SAS-22

SHEET 5 OF 5