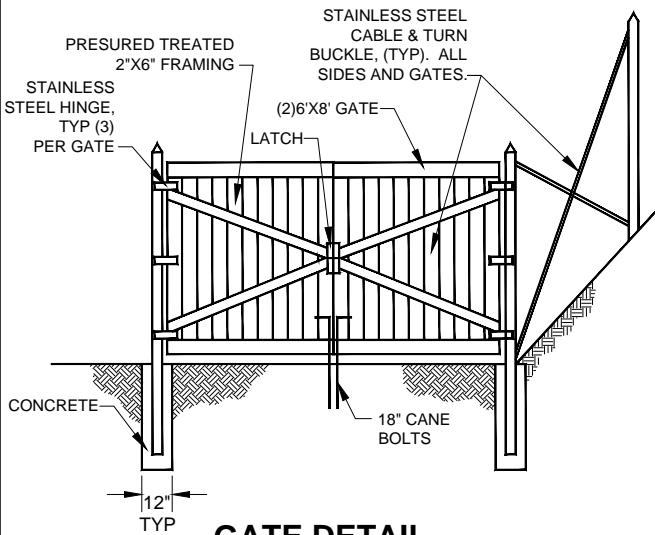
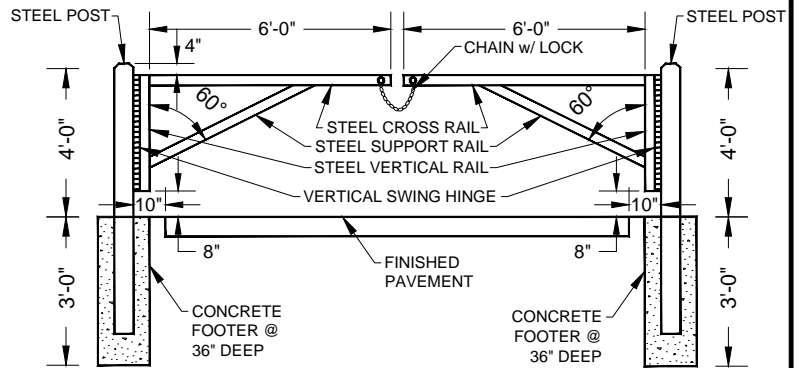


FENCE DETAIL



GATE DETAIL



ACCESS DRIVE GATE DETAIL

NOT TO SCALE

DATE: SEPT. 2020

STANDARD CONSTRUCTION DRAWING

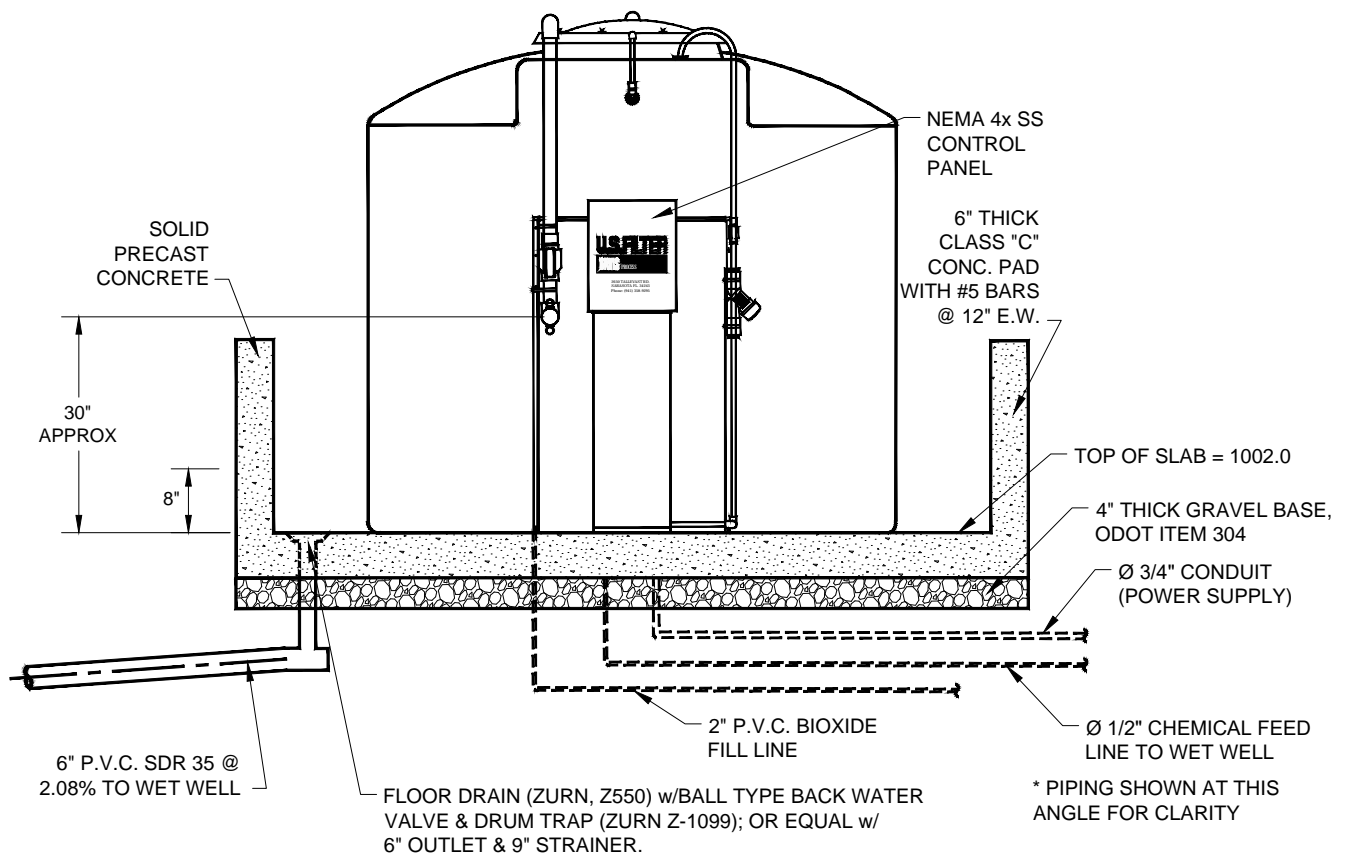


BIOXIDE SYSTEM
FENCE & GATE DETAIL

DRAWING NO.

SAS-24

SHEET 1 OF 5



BIOXIDE TANK ELEVATION VIEW

NOT TO SCALE

DATE: SEPT. 2020

STANDARD CONSTRUCTION DRAWING

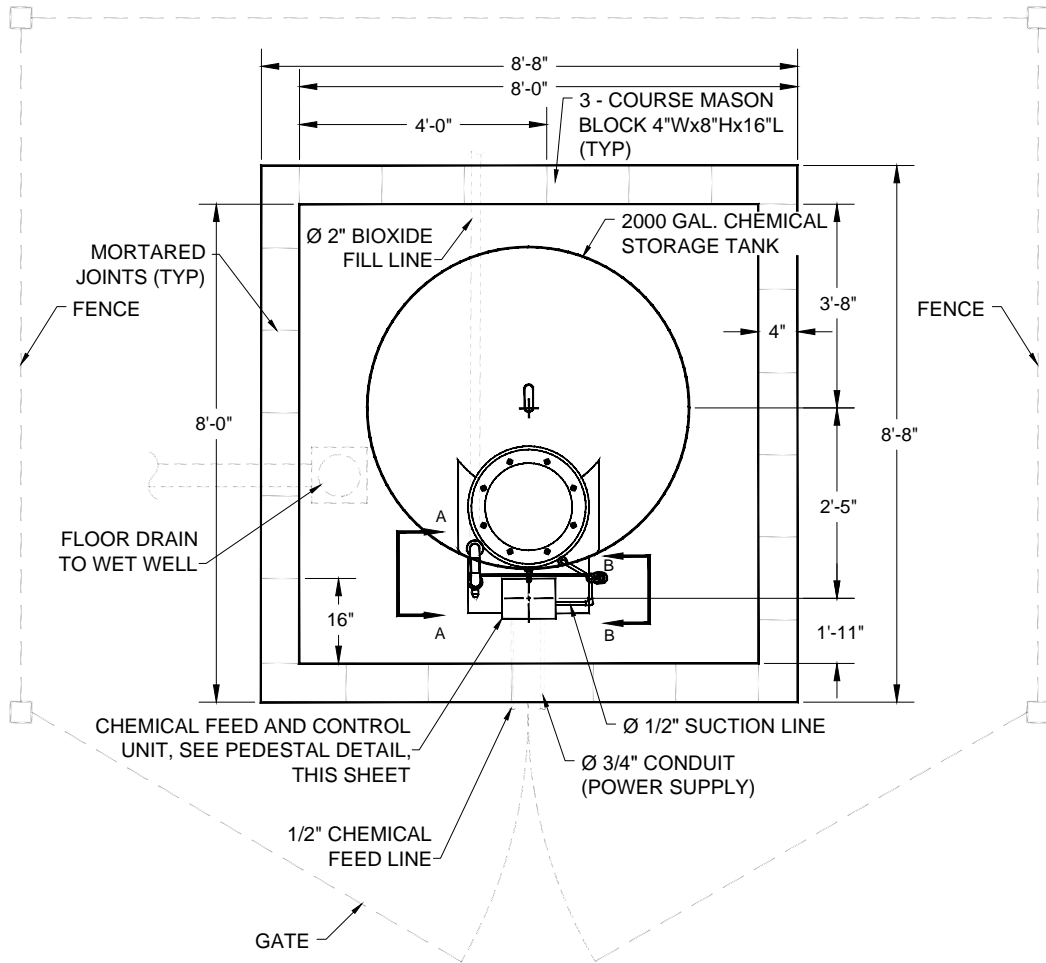


BIOXIDE SYSTEM
TANK DETAIL

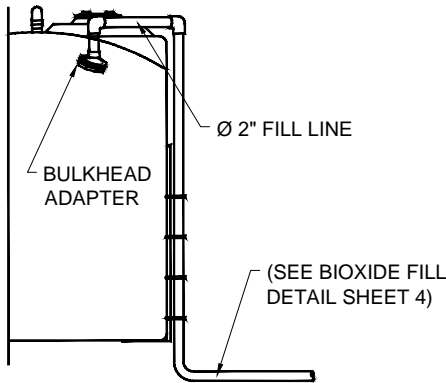
DRAWING NO.

SAS-24

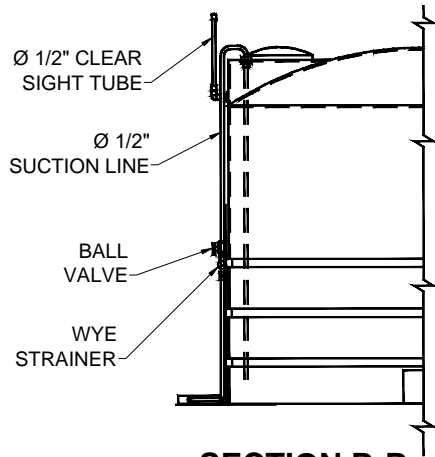
SHEET 2 OF 5



BIOXIDE TANK PLAN VIEW



SECTION A-A



SECTION B-B

NOT TO SCALE

DATE: SEPT. 2020

STANDARD CONSTRUCTION DRAWING

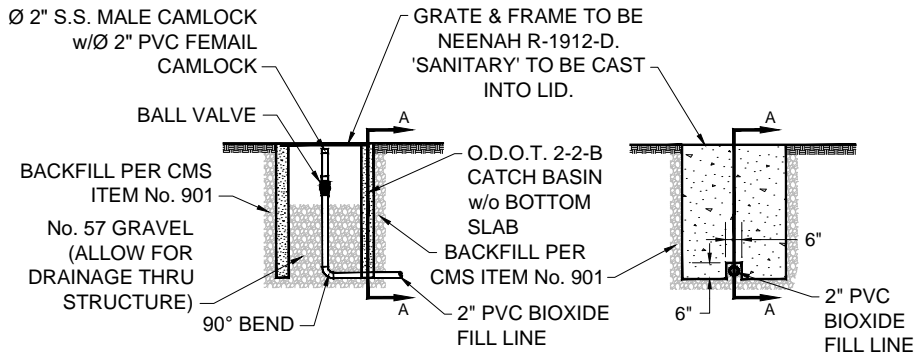


BIOXIDE SYSTEM
TANK DETAIL

DRAWING NO.

SAS-24

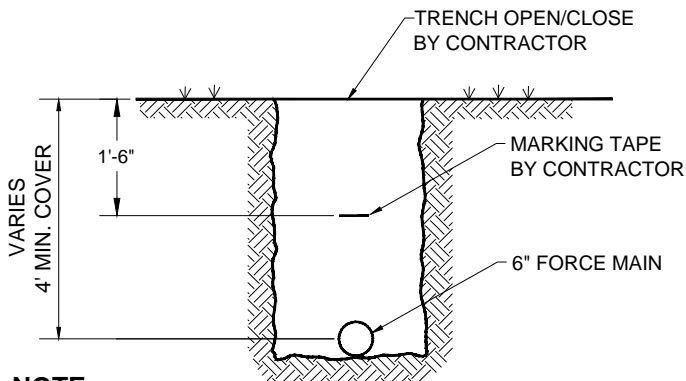
SHEET 3 OF 5



VALVE BOX

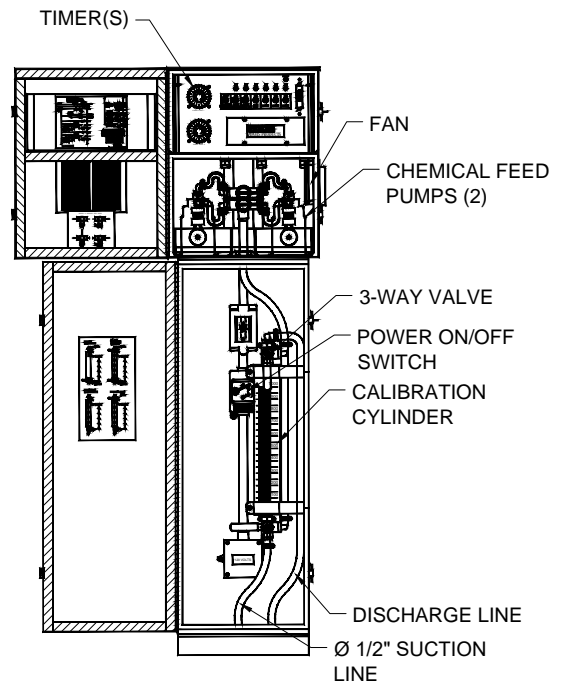
SECTION A-A

BIOXIDE FILL DETAIL



NOTE:
COST TO BE INCLUDED IN PRICE
BID FOR SEWAGE FORCE MAIN.

MARKING TAPE DETAIL



CONTROL PANEL ELEVATION VIEW

NOT TO SCALE

DATE: SEPT. 2020

STANDARD CONSTRUCTION DRAWING



BIOXIDE SYSTEM
FILL DETAIL

DRAWING NO.
SAS-24
SHEET 4 OF 5

NOTES:

1. CONTRACTOR TO FURNISH CONCRETE PAD WITH ALL IN-SLAB PIPING AND CONDUIT.
2. ALL PIPING AND APPURTENANCES SHALL BE PVC, SCHEDULE 80.
3. ALL ELECTRICAL CONDUIT AND WIRING BY CONTRACTOR.
4. UTILIZE SWEEPS ONLY (NO ELBOWS) FOR CONDUIT DIRECTIONAL CHANGES.
5. CONTRACTOR TO FURNISH AND INSTALL ALL NECESSARY SLAB OPENINGS, SLEEVES, AND SEALANT. AS WELL AS HANGERS, SUPPORTS, AND BLOCKING FOR PIPING.
6. ALL HARDWARE REQUIRED FOR INSTALLATION SHALL BE STAINLESS STEEL, FURNISHED AND INSTALLED BY CONTRACTOR.
7. TWO COATS OF WEATHERPROOFING SEALER SHALL BE APPLIED TO FENCING.

DATE: SEPT. 2020

STANDARD CONSTRUCTION DRAWING



BIOXIDE SYSTEM
NOTES

DRAWING NO.

SAS-24

SHEET 5 OF 5