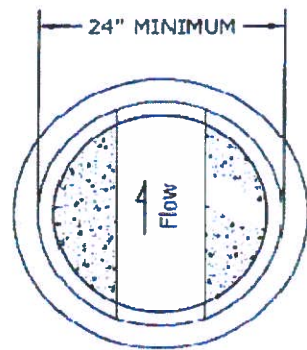
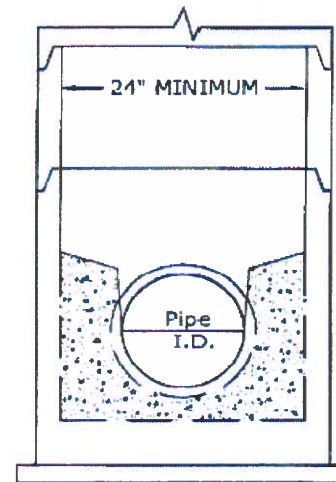


PRECAST CONCRETE INSPECTION MANHOLE (WITHIN PAVEMENT LIMITS)

NOT TO SCALE



PLAN



City of Marysville
Division of Wastewater

Richard Felton, Wastewater Superintendent

12901 Beecher Gamble Road
Marysville, Ohio 43040

Phone 937-645-7350
Fax 937-645-7345

Drawing
No.

SAS-33
1 of 2

Approved:

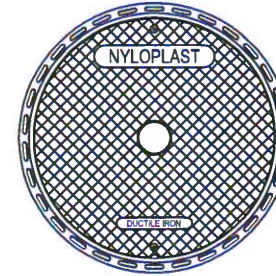
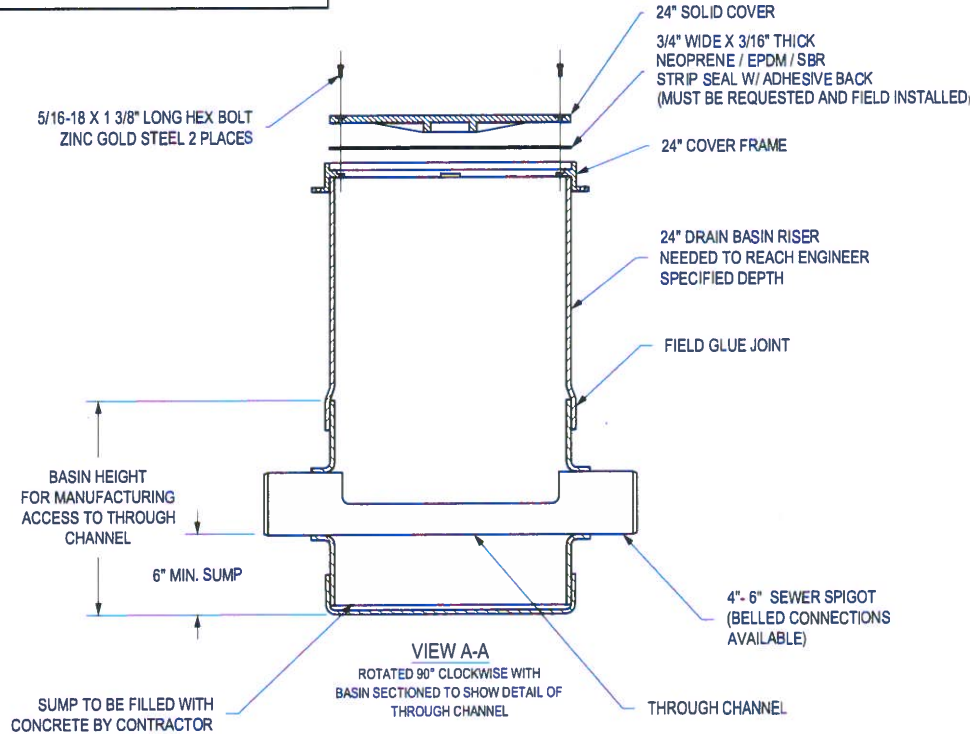

Wastewater Superintendent

6/19/17
Date

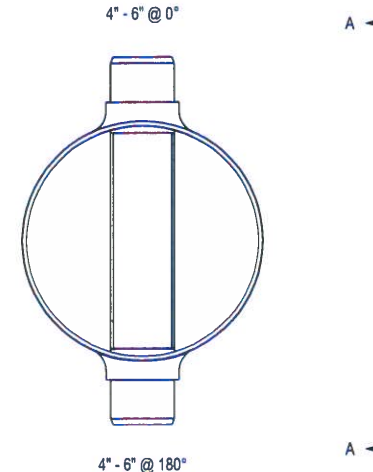
PLASTIC INSPECTION MANHOLE (OUTSIDE PAVEMENT LIMITS)

NOT TO SCALE

NOTE:
NYLOPLAST 24 IN BASIN WITH THROUGH CHANNEL FOR SANITARY SEWER CLEANOUT, OR EQUAL



FRAME & COVER TOP VIEW
WITHOUT BASIN BODY



BASIN BODY TOP VIEW
WITHOUT FRAME & GRATE



City of Marysville
Division of Wastewater

Richard Felton, Wastewater Superintendent

12901 Beecher Gamble Road
Marysville, Ohio 43040

Phone 937-645-7350
Fax 937-645-7345

Drawing No.
SAS-33
2 of 2

Approved: _____

Wastewater Superintendent

6/19/17
Date