

* = THIS SHALL BE A 8' FOR A SIDEWALK CROSSING OR 10' FOR A SHARED USE PATH CROSSING

NOTE:

- THIS DESIGN ACCOMMODATES WB-40 VEHICLES, AS PRESCRIBED BY AASHTO. IF LARGER OR SMALLER VEHICLES NEED ACCOMMODATED, COORDINATE DESIGN WITH THE CITY OF MARYSVILLE ENGINEERING DEPARTMENT.
- DRIVEWAY APPROACH SHALL BE 8" PORTLAND CEMENT CONCRETE OR STRUCTURAL EQUIVALENT AS APPROVED BY THE CITY ENGINEER
- ISLAND SURFACE IN DRIVEWAY APPROACH MAY BE EITHER 4" PORTLAND CEMENT CONCRETE OR LANDSCAPING VEGETATION WITH A HEIGHT NO GREATER THAN 3 FEET ABOVE THE TOP OF CURB. LANDSCAPING MATERIALS SHALL BE SUBJECT TO REVIEW AND APPROVAL OF THE CITY OF MARYSVILLE PLANNING AND ZONING DEPARTMENT. MAINTENANCE OF LANDSCAPING SHALL BE THE RESPONSIBILITY OF THE PROPERTY OWNER.
- A SIGNAGE PLAN SHALL BE SUBMITTED TO THE CITY ENGINEERING DEPARTMENT FOR APPROVAL.

NOT TO SCALE

DATE: APRIL 2021

STANDARD CONSTRUCTION DRAWING

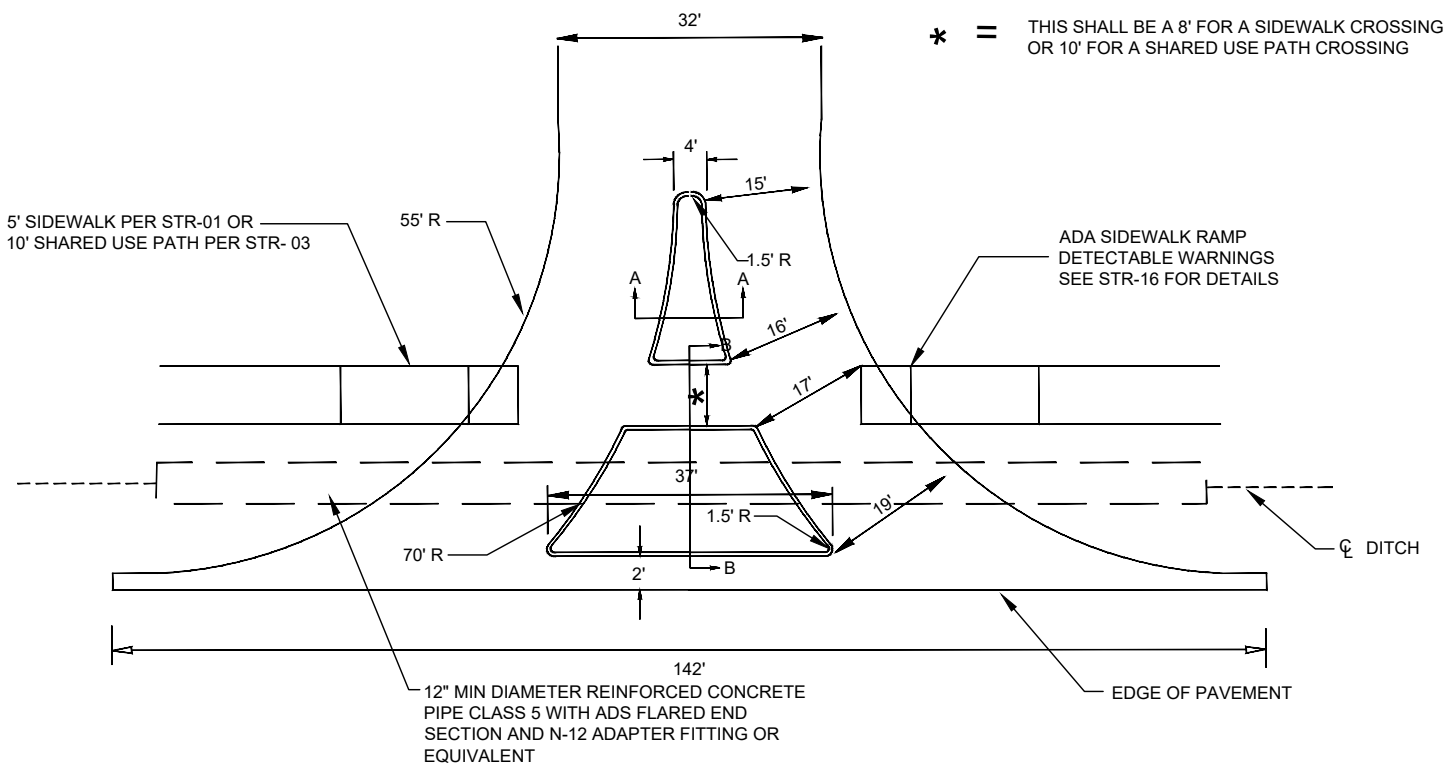


RIGHT IN, RIGHT OUT
COMMERCIAL APPROACH

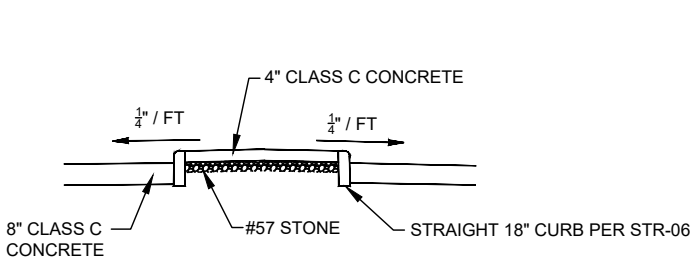
DRAWING NO.

STR-19

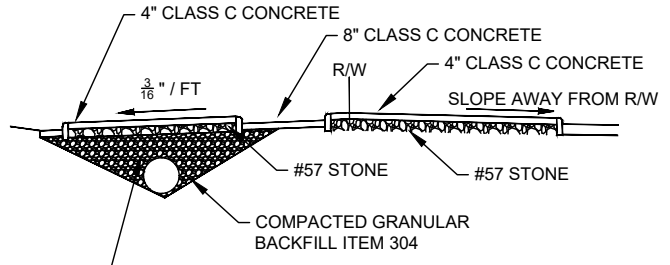
SHEET 1 OF 3



* = THIS SHALL BE A 8' FOR A SIDEWALK CROSSING OR 10' FOR A SHARED USE PATH CROSSING



SECTION A-A



SECTION B-B

IF COVER IS LESS THAN 12" USE CONCRETE ENCASEMENT INSTEAD OF ITEM 304 BACKFILL

- NOTE:**
- THIS DESIGN ACCOMMODATES WB-40 VEHICLES, AS PRESCRIBED BY AASHTO. IF LARGER OR SMALLER VEHICLES NEED ACCOMMODATED, COORDINATE DESIGN WITH THE CITY OF MARYSVILLE ENGINEERING DEPARTMENT.
 - DRIVEWAY APPROACH SHALL BE 8" PORTLAND CEMENT CONCRETE OR STRUCTURAL EQUIVALENT AS APPROVED BY THE CITY ENGINEER
 - ISLAND SURFACE IN DRIVEWAY APPROACH MAY BE EITHER 4" PORTLAND CEMENT CONCRETE OR LANDSCAPING VEGETATION WITH A HEIGHT NO GREATER THAN 3 FEET ABOVE THE TOP OF CURB. LANDSCAPING MATERIALS SHALL BE SUBJECT TO REVIEW AND APPROVAL OF THE CITY OF MARYSVILLE PLANNING AND ZONING DEPARTMENT. MAINTENANCE OF LANDSCAPING SHALL BE THE RESPONSIBILITY OF THE PROPERTY OWNER.
 - A SIGNAGE PLAN SHALL BE SUBMITTED TO THE CITY ENGINEERING DEPARTMENT FOR APPROVAL.

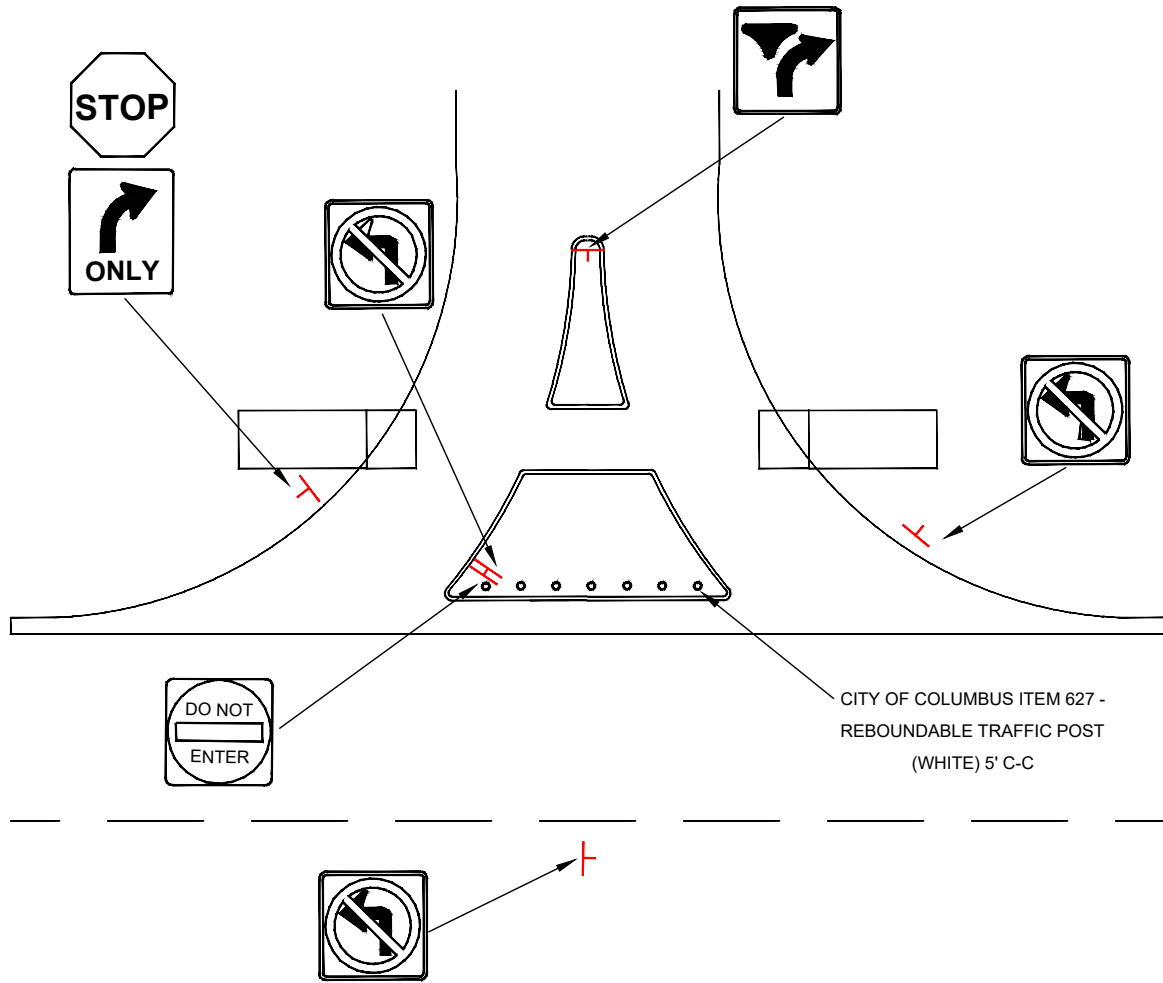
NOT TO SCALE

DATE: APRIL 2021 STANDARD CONSTRUCTION DRAWING



RIGHT IN, RIGHT OUT
COMMERCIAL APPROACH
WITHOUT CURB

DRAWING NO.
STR-19
SHEET 2 OF 3



NOTE:

- THIS DESIGN ACCOMMODATES WB-40 VEHICLES, AS PRESCRIBED BY AASHTO. IF LARGER OR SMALLER VEHICLES NEED ACCOMMODATED, COORDINATE DESIGN WITH THE CITY OF MARYSVILLE ENGINEERING DEPARTMENT..
- DRIVEWAY APPROACH SHALL BE 8" PORTLAND CEMENT CONCRETE OR STRUCTURAL EQUIVALENT AS APPROVED BY THE CITY ENGINEER
- ISLAND SURFACE IN DRIVEWAY APPROACH MAY BE EITHER 4" PORTLAND CEMENT CONCRETE OR LANDSCAPING VEGETATION WITH A HEIGHT NO GREATER THAN 3 FEET ABOVE THE TOP OF CURB. LANDSCAPING MATERIALS SHALL BE SUBJECT TO REVIEW AND APPROVAL OF THE CITY OF MARYSVILLE PLANNING AND ZONING DEPARTMENT. MAINTENANCE OF LANDSCAPING SHALL BE THE RESPONSIBILITY OF THE PROPERTY OWNER.
- A SIGNAGE PLAN SHALL BE SUBMITTED TO THE CITY ENGINEERING DEPARTMENT FOR APPROVAL.

NOT TO SCALE

DATE: APRIL 2021

STANDARD CONSTRUCTION DRAWING



RIGHT IN, RIGHT OUT
SIGNAGE

DRAWING NO.

STR-19

SHEET 3 OF 3